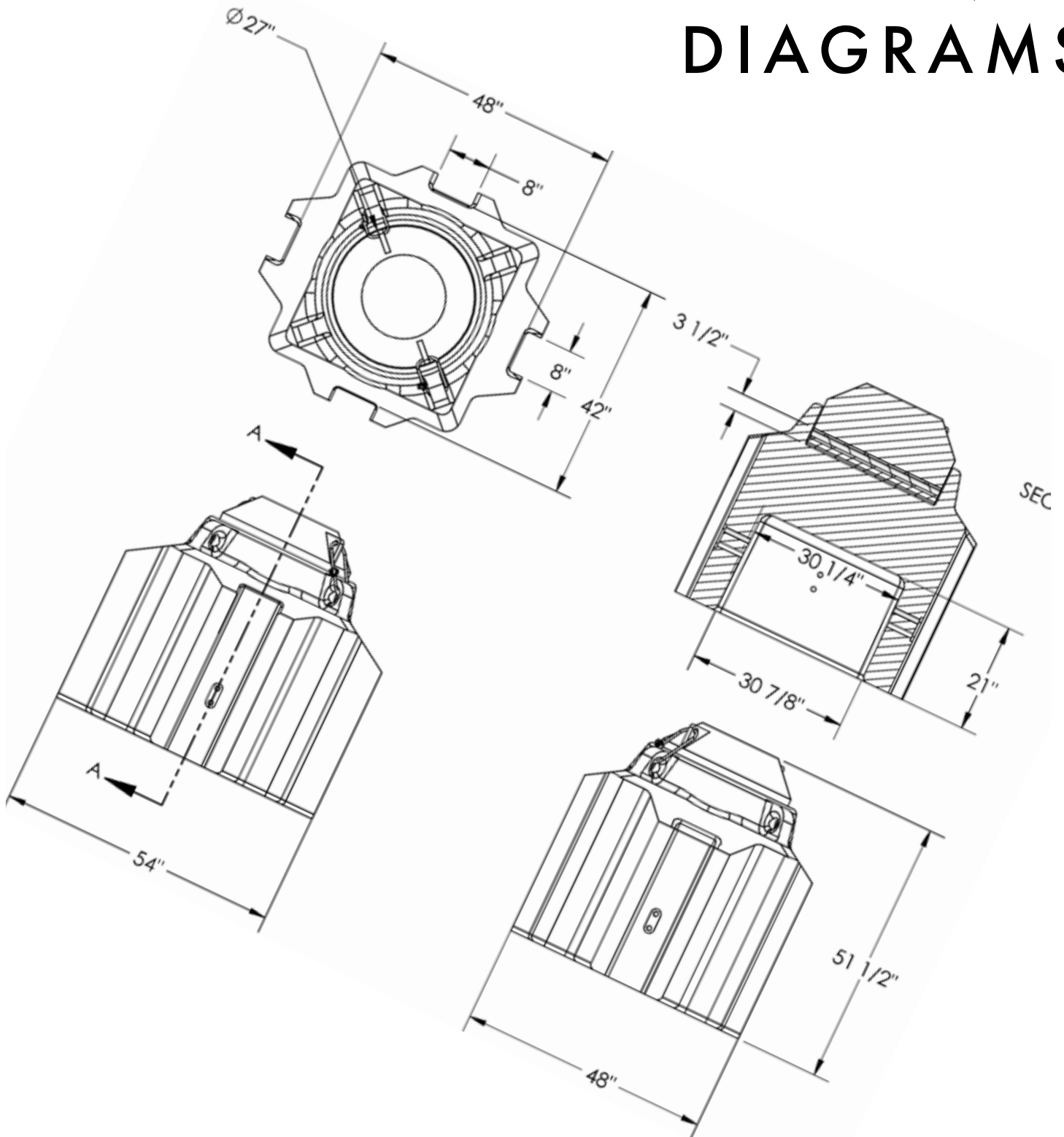


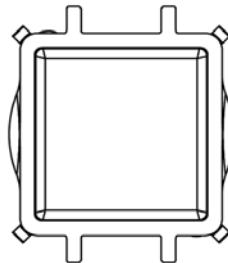
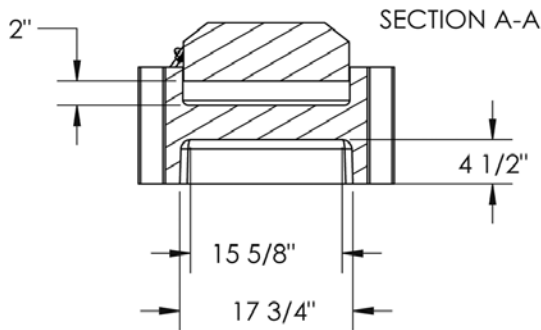
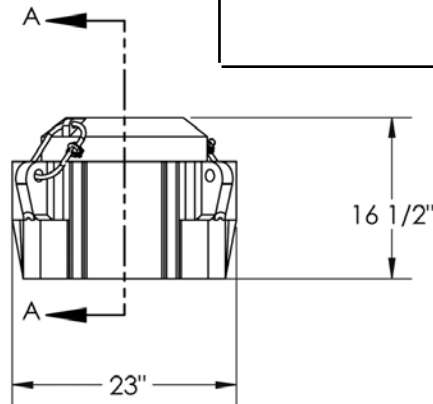
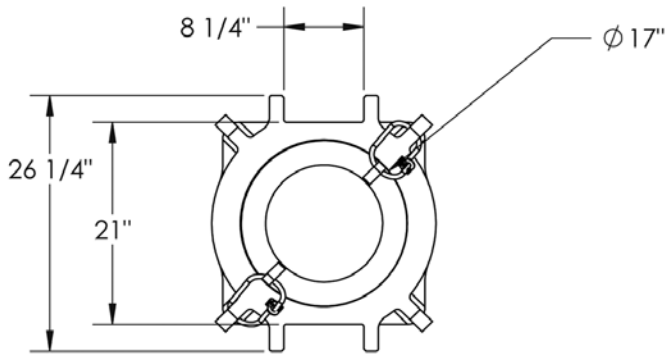
# HELMET DIAGRAMS




<b>Primary Helmets</b>	<b>3–8</b>
<b>Offshore Helmets</b>	<b>9–16</b>
<b>Neck Adapter/Follower</b>	<b>17–24</b>
<b>Helmet Inserts</b>	<b>25–45</b>
<b>Square Concrete Helmets</b>	<b>46–49</b>
<b>Concrete Cylinder Helmets</b>	<b>50–52</b>
<b>Universal Helmets</b>	<b>53–54</b>
<b>EU Helmets</b>	<b>55–63</b>

# Primary Helmets

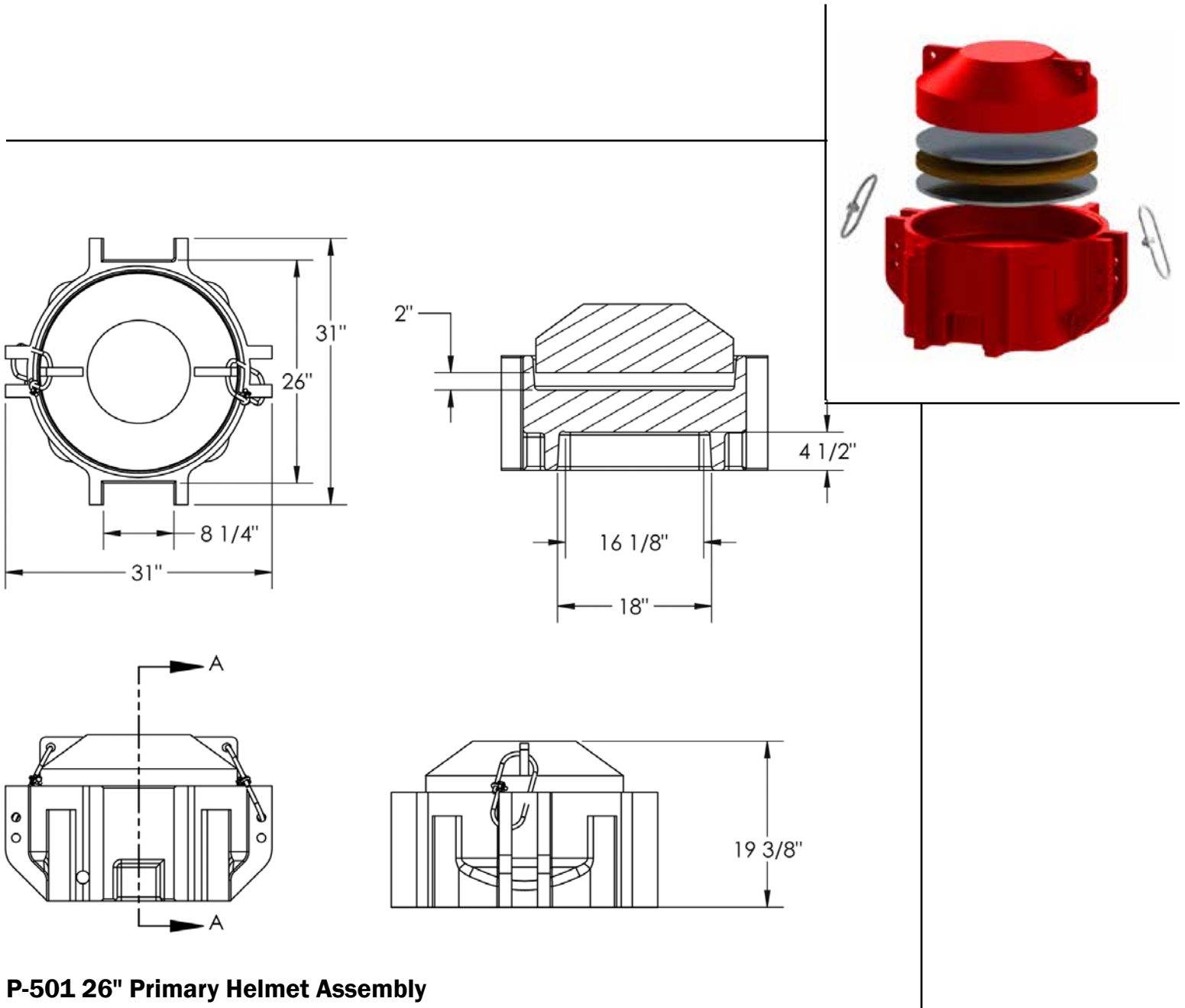
## P-500 21" Primary Helmet Assembly & Diagram




### P-500 21" Primary Helmet Assembly

	#	Assembly	Qty	Weights lbs. <b>Approx.</b>	Accessories
	500521	Primary Helmet	1	1050	steel cable 2
	500307	Striker Plate Ø 17"x6"	1	330	cable clamp 2
	500157	aluminium cushion Ø 17"x1/2"	2	22(for 2)	
	500107	phenolic cushion Ø 17"x1"	1	12	
<b>U-Lead Guiding: 21" x 8"</b>			<b>Total weight approx. = 1,414 lbs</b>		

## P-501 26" Primary Helmet Assembly & Diagram



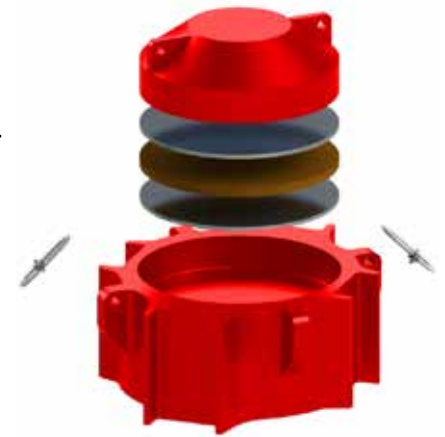
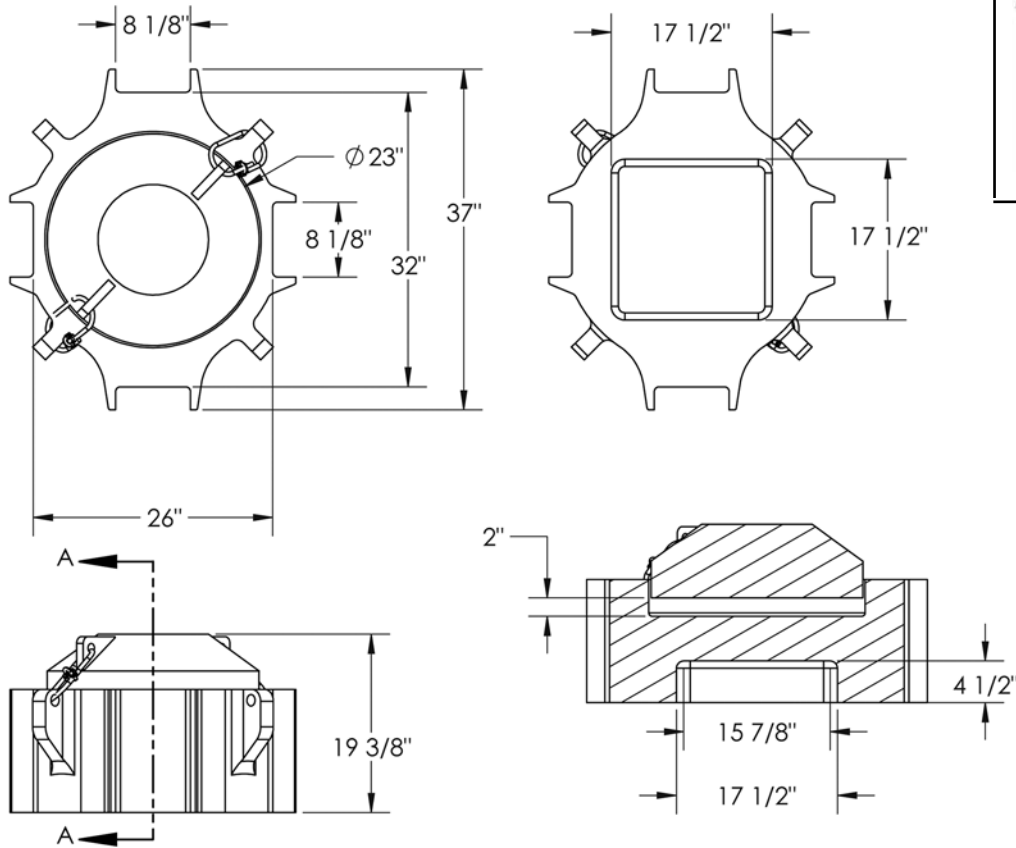
### P-501 26" Primary Helmet Assembly

	#	Assembly	Qty	Weights lbs <b>Approx.</b>	Accessories
	500526	Primary Helmet	1	2200	steel cable 2
	500309HD	Striker Plate Ø 23"x8"	1	798	cable clamp 2
	500159	aluminium cushion Ø 23"x1/2"	2	42 (for 2)	
	860-500109	phenolic cushion Ø 23"x1"	1	28	


**U-Lead Guiding: 26" x 8"**

**Total weight approx. = 3,068 lbs**

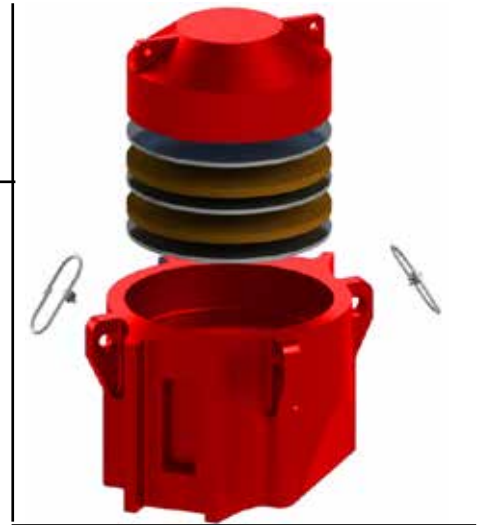
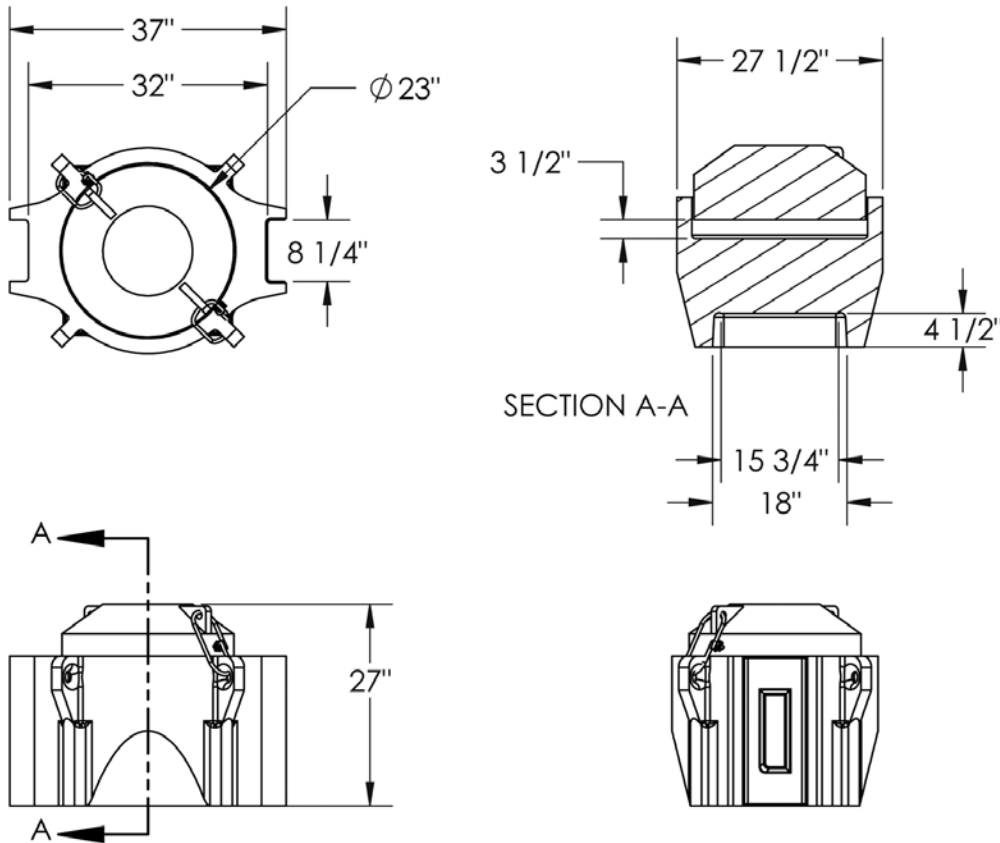
## P-503 32" Primary Helmet Assembly & Diagram




### P-503 32" Primary Helmet Assembly

	#	Assembly	Qty	Weights lbs. <b>Approx.</b>	Accessories
	500532	Primary Helmet	1	2750	steel clamp 2
500309HD	Striker Plate $\varnothing$ 23"x8"	1	798	cable clamp 2	
500159	aluminium cushion $\varnothing$ 23"x1/2"	2	42 (for 2)		
500109	phenolic cushion $\varnothing$ 23"x1"	1	28		
<b>U-Lead Guiding: 26" x 8", 32" x 8"</b>			<b>Total weight approx. = 3,618 lbs</b>		

## P-504 32" HD Primary Helmet Assembly & Diagram



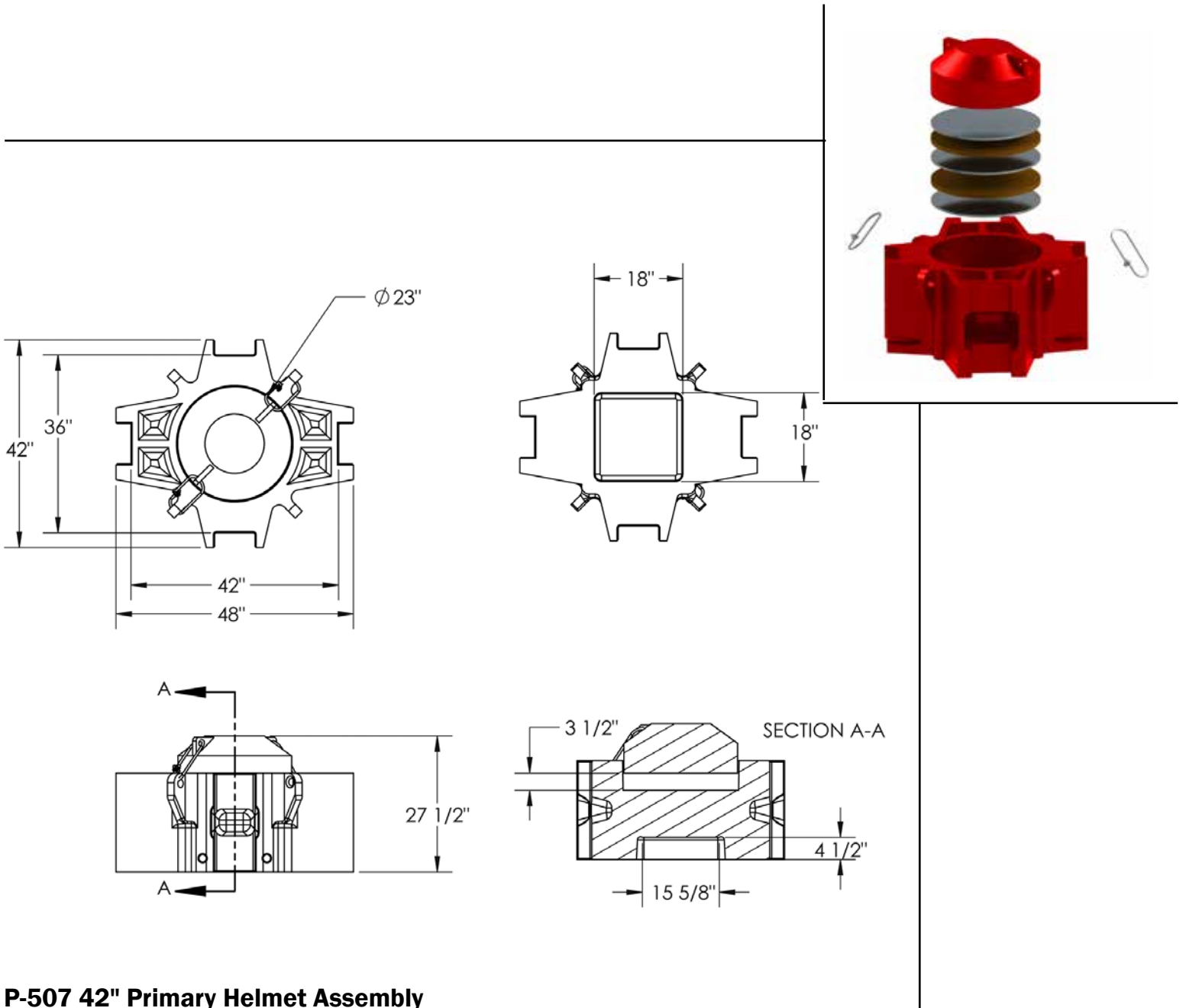
### P-504 32" HD Primary Helmet Assembly

	#	Assembly	Qty	Weights lbs, Approx.	Accessories
	500532 HD	Primary Helmet	1	2820	steel cable 2
	500315	Striker Plate $\phi 23'' \times 10''$	1	974	cable clamp 2
	500159	aluminium cushion $\phi 23'' \times 1 \frac{1}{2}''$	3	63 (for 3)	
	500109	phenolic cushion $\phi 23'' \times 1''$	2	56 (for 2)	


**U-Lead Guiding: 32" x 8"**

**Total weight approx. = 3,913 lbs**

## P-507 42" HD Primary Helmet Assembly & Diagram



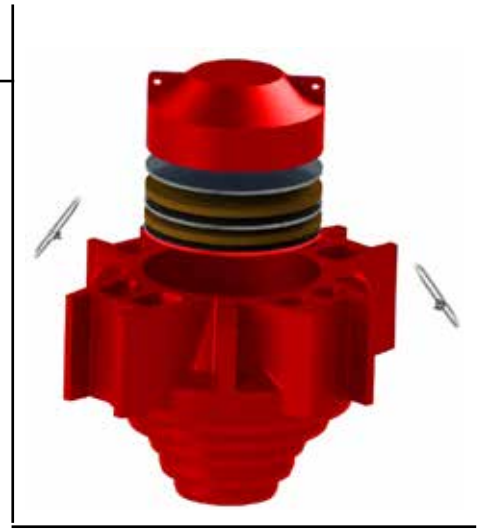
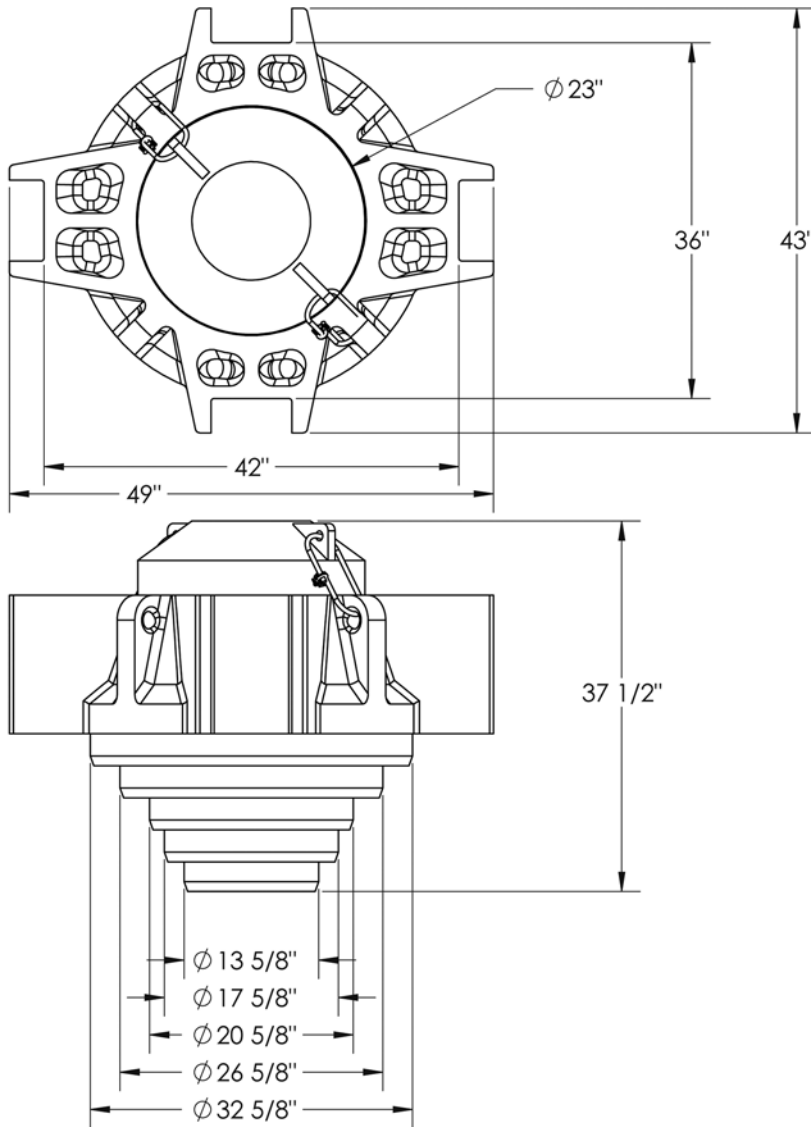
### P-507 42" Primary Helmet Assembly

	#	Assembly	Qty	Weights lbs. <b>Approx.</b>	Accessories
	500542	Primary Helmet	1	5400	steel cable 2
	500315	Striker Plate $\phi 23"$ x10"	1	974	cable clamp 2
	500159	aluminium cushion $\phi 23"$ x1/2"	3	63 (for 3)	
	500109	phenolic cushion $\phi 23"$ x1"	2	56 (for 2)	
<b>U-Lead Guiding: 42" x 8", 36" x 8"</b>			<b>Total weight approx. = 6,493 lbs</b>		




# **Offshore Helmets**

## P-514 36" Offshore Male Helmet Assembly & Diagram

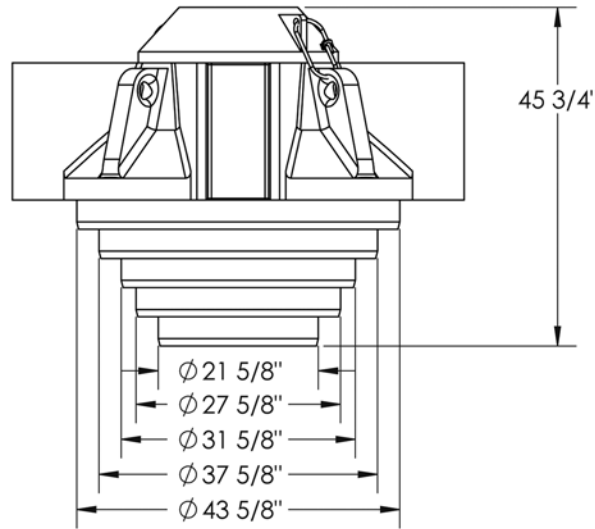
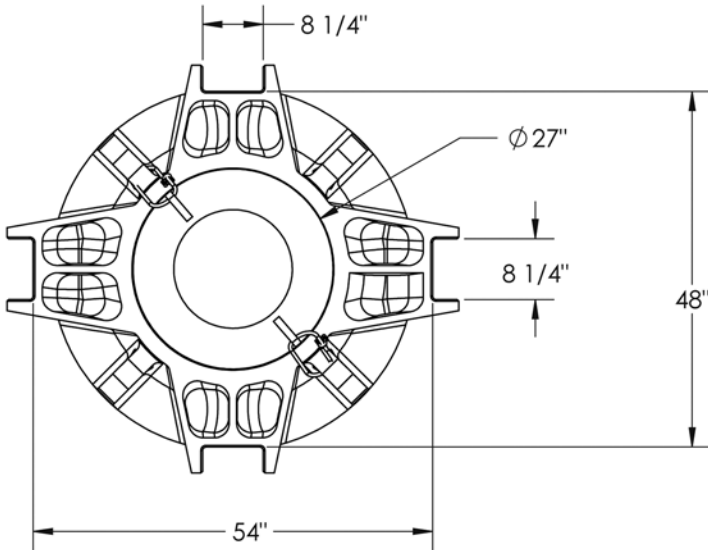


### P-514 36" Offshore Male Helmets Assembly


	#	Assembly	Qty	Weights lbs. <b>Approx.</b>	Accessories
	410455	Male type Offshore Helmet	1	6,300	steel cable 2
500315	striker plate, Ø 23"x10"	1	974	(910-CBCP-12MM) cable clamp 2	
500159	aluminium cushion, Ø 23"x1 1/2"	3	63 (for 3)		
500109	phenolic cushion, Ø 23"x1"	2	56 (for 2)		
				<b>Total:</b> <b>7,393 lbs approx.</b>	

**Pipe Pile Size:** 16"x 1", 20"x 1" 24"x 1-1/2", 30" x 1-1/2", 36" x 1-1/2" **U-Lead Size:** 36.5" x 8", 42.5" x 8"

## P-515 48" Offshore Male Helmet Assembly & Diagram



### P-515 48" Offshore Male Helmets Assembly

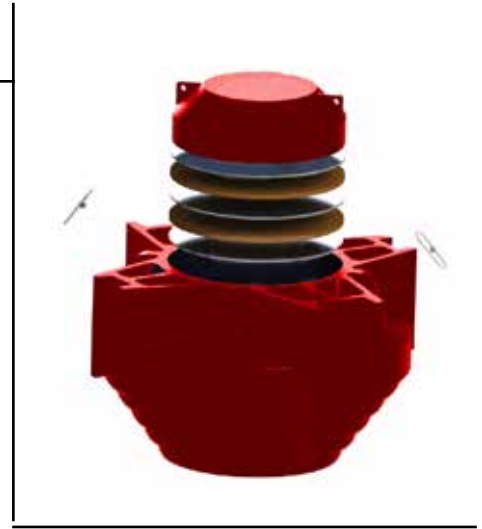
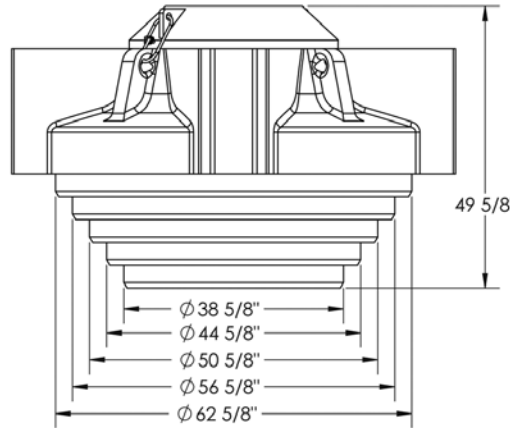
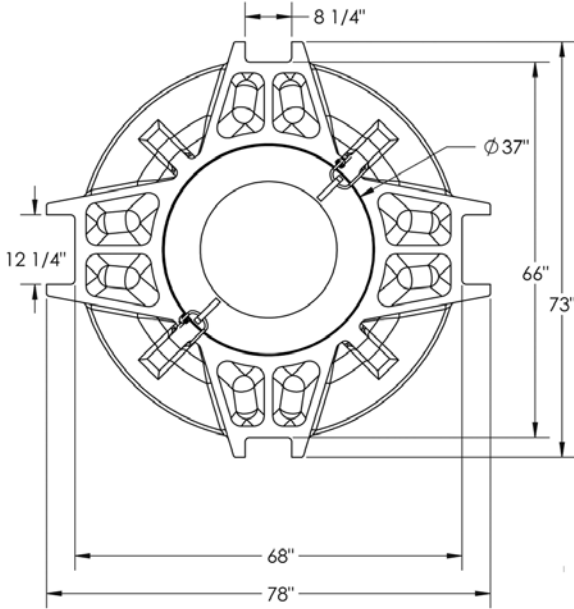
	#	Assembly	Qty.	Weights lbs. <b>Approx.</b>	Accessories
	410452	Male type Offshore Helmet	1	14,400	steel cable 2
500330	striker plate, Ø 27"x12"	1	1,532	(910-CBCP-12MM) cable clamp 2	
500160	aluminium cushion, Ø 27"x1/2"	3	84 (for 3)		
500110	phenolic cushion, Ø 27"x1"	2	76 (for 2)		
				<b>Total: 16,092 lbs approx.</b>	

**Pipe Pile Size:** 24" x 1", 30" x 1", 36" x 2", 42" x 2", 48" x 2" **U-Lead Size:** 48.5" x 8", 54.5" x 8"


PILECO

office (936)494-4200 • 1-800-409-0018 • fax (936)494-4201  
www.Pileco.com • 3321 E Davis St • Conroe, TX 77301

## P-516 66" Offshore Male Helmet Assembly & Diagram

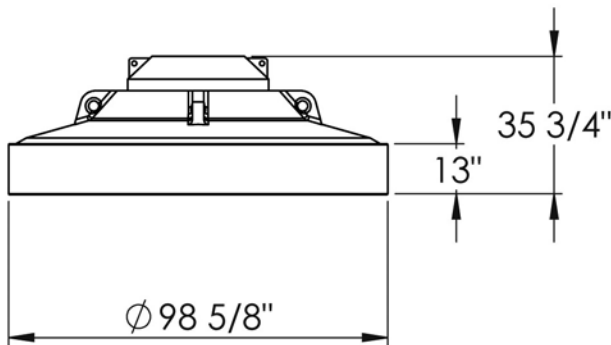
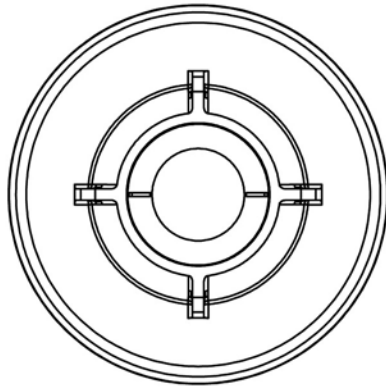


### P-516 66" Offshore Male Helmets Assembly

	#	Assembly	Qty.	Weights lbs. <b>Approx.</b>	Accessories
	410453	Male type Offshore Helmet	1	26,600	steel clamp 2
	500335	striker plate, Ø 37"x12"	1	3,080	(910-CBCP-12MM) cable clamp 2
	500165	aluminium cushion, Ø 37"x1/2"	3	159 (for 3)	
	500115	phenolic cushion, Ø 37"x1"	2	142 (for 2)	
				<b>Total: 29,981 lbs approx.</b>	


**Pipe Pile Size:** 42" x 1-1/2", 48" x 1-1/2", 54" x 1-1/2", 60" x 1-1/2", 66" x 1-1/2" **U-Lead Size:** 66.5" x 8", 68.5" x 12"

## P-517 98" Large Diameter Drive Plate Assembly & Diagram



### P-517 98" Offshore Male Helmets Assembly

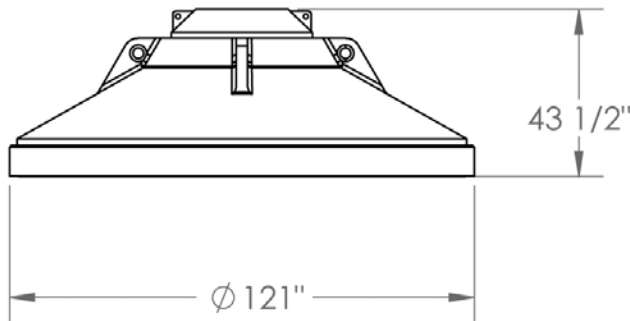
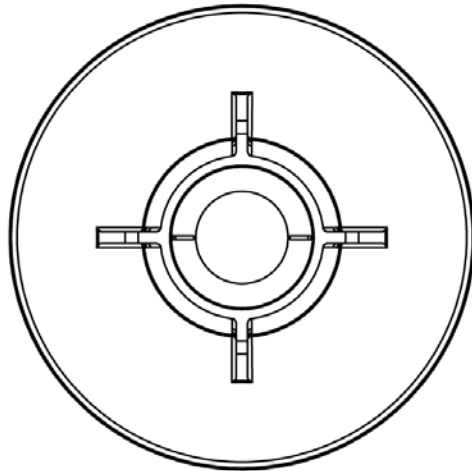
All weights are approximate

	#	Assembly	Qty	Weights lbs.	
	410454	98" Drive Plates Diameter	1	38,400	steel cable 2
	500335-B	striker plate, Ø 37" x 16"	1	4,217	(910-CBCP-12MM) cable clamp 2
	500165	aluminium cushion, Ø 37" x 1/2"	3	159 (for 3)	
	500115	phenolic cushion, Ø 37" x 1"	2	142 (for 2)	
				<b>Total:</b>	
				<b>42,918 lbs</b>	

**Pipe Pile Size:** Up to 98-1/2"Ø , Use guide shoes for Ø 66", 72", 84", 96"


**OS Type Lead:** OS 98

## P-518 120" Large Diameter Drive Plate Assembly & Diagram



All weights are approximate

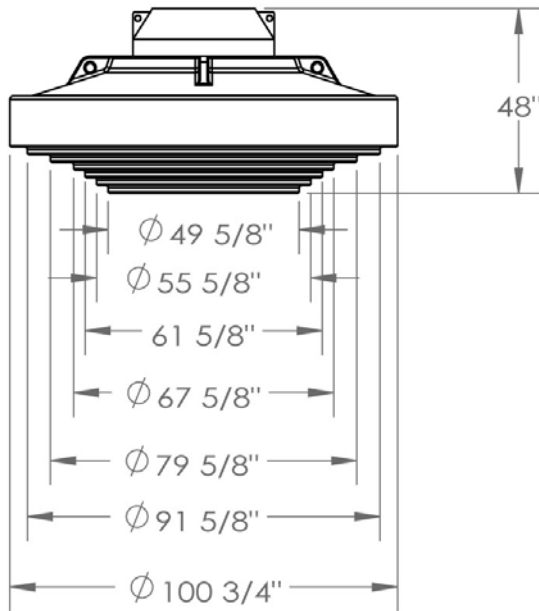
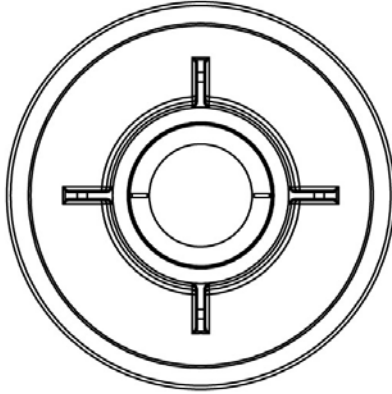
### P-518 120" LARGE DIAMETER DRIVE PLATES

	410456	120" Drive Plates Diameter	1	61,001	steel cable 2
	500335-B	striker plate, Ø 37" x 16"	1	4,217	(910-CBCP-12MM) cable clamp 2
	500165	aluminium cushion, Ø 37" x 1/2"	3	159 (for 3)	
	500115	phenolic cushion, Ø 37" x 1"	2	142 (for 2)	
					<b>Total:</b> <b>65,519 lbs</b>

**Pipe Pile Size:** Up to 120"Ø Use guide shoes for Ø 84", 96", 98", 108", 114"


**OS Type Lead:** OS 120

## P-528 98" Large Diameter Step Drive Plate Assembly & Diagram



All weights are approximate

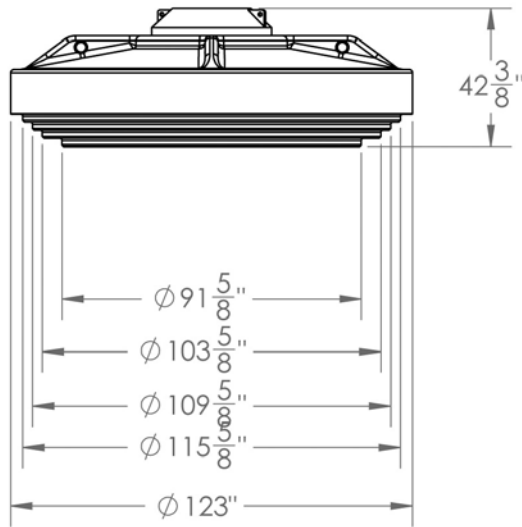
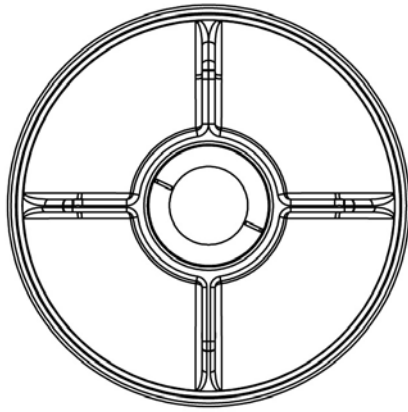
### P-528 98" LARGE DIAMETER STEP DRIVE PLATES

	410474	98" Step Drive Plates Diameter	1	46,578	steel cable 2
	500335-B	striker plate, $\phi 37$ " x 16"	1	4,217	(910-CBCP-12MM) cable clamp 2
	500165	aluminium cushion, $\phi 37$ " x 1/2"	3	159 (for 3)	
	500115	phenolic cushion, $\phi 37$ " x 1"	2	142 (for 2)	
				<b>Total: 51,096 lbs</b>	

**Pipe Pile Size:** 54", 60", 66", 72", 84", 96" 98"  $\phi$


**OS Type Lead :** 10098

## P-529 120" Large Diameter Step Drive Plate Assembly & Diagram



All weights are approximate

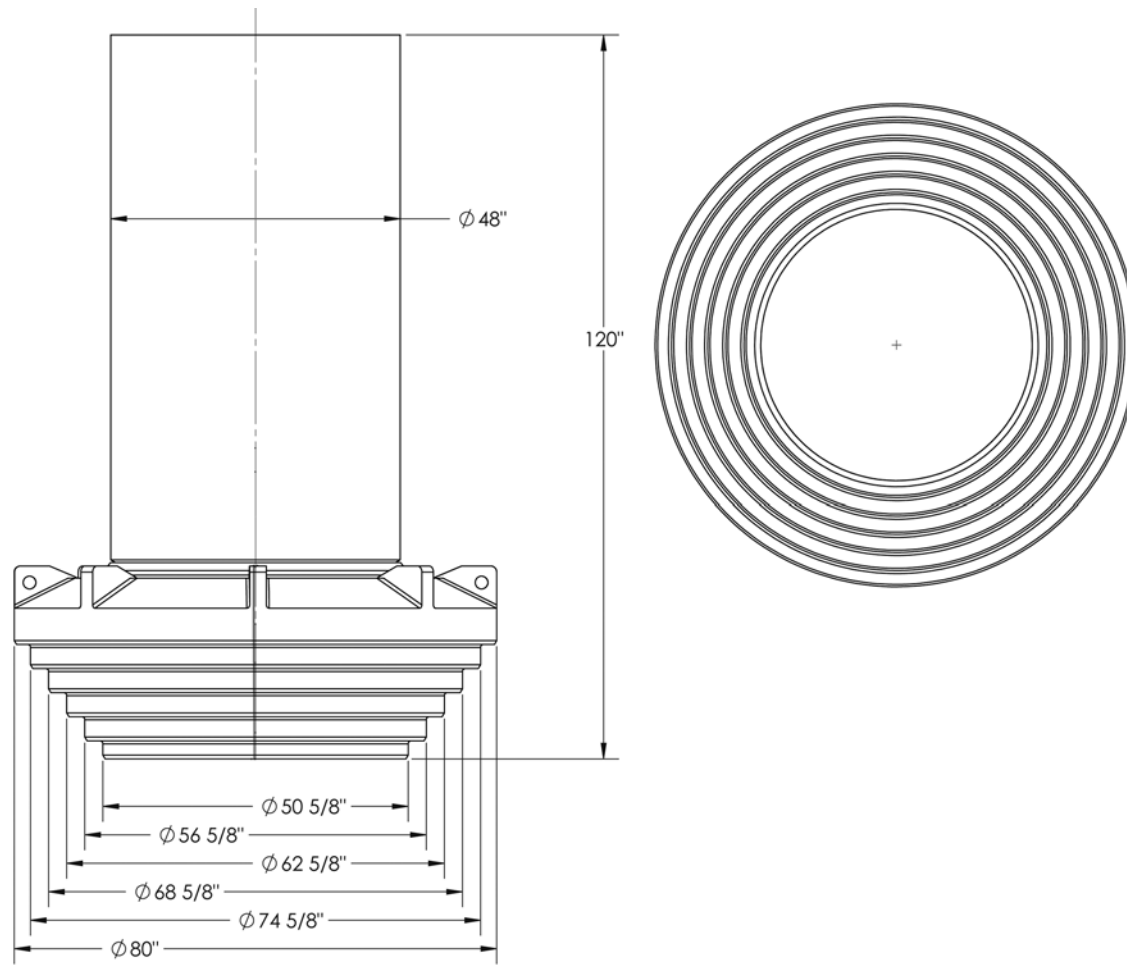
### P-529 120" LARGE DIAMETER STEP DRIVE PLATES

	410464	120" Step Drive Plates Diameter	1	74,621	steel cable 2
	500335-B	striker plate, $\phi 37$ " x $16$ "	1	4,217	(910-CBCP-12MM) cable clamp 2
	500165	aluminium cushion, $\phi 37$ " x $1/2$ "	3	159 (for 3)	
	500115	phenolic cushion, $\phi 37$ " x $1$ "	2	142 (for 2)	
				<b>Total: 79,139 lbs</b>	

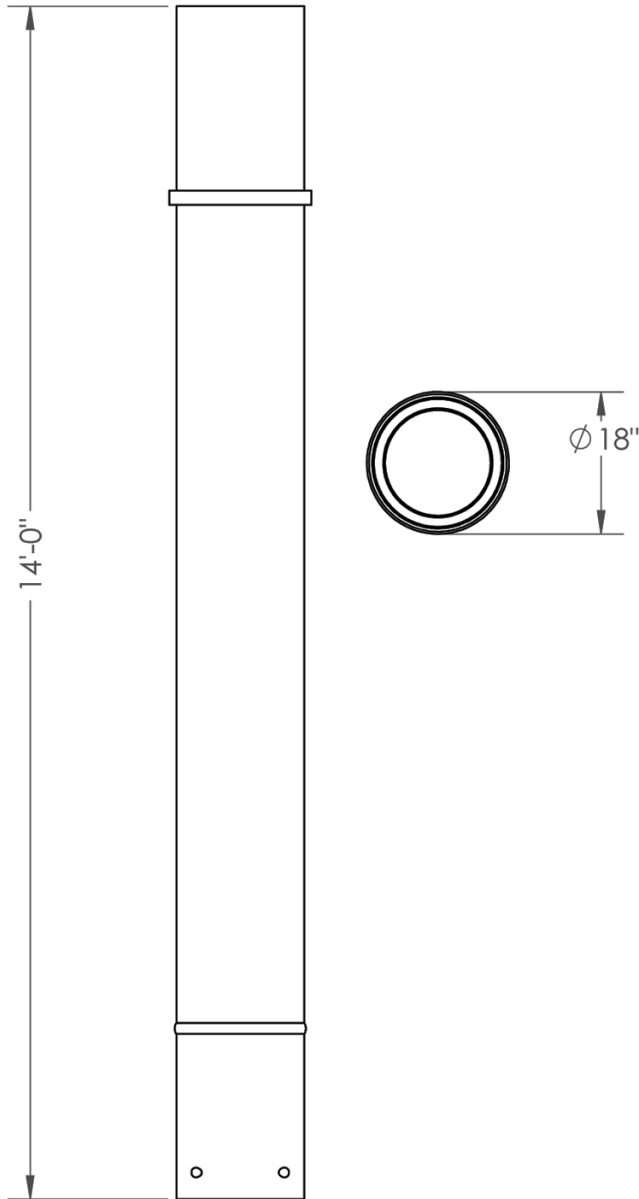
**Pipe Pile Size:** 96", 108", 114" & 120"  $\phi$

**OS Type Lead :** 10120

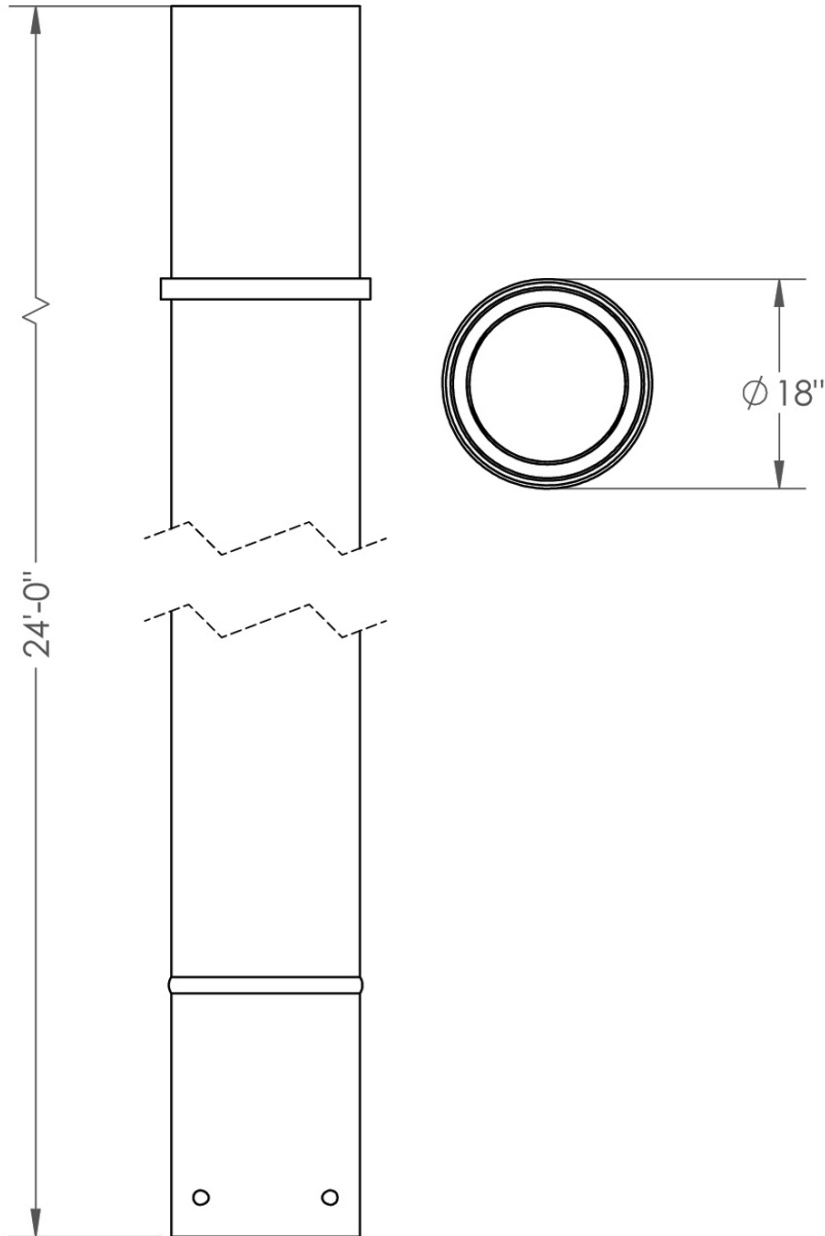



**A104-48 Neck Adapter for 78" Pile**
**Inserts For Concrete Piles**

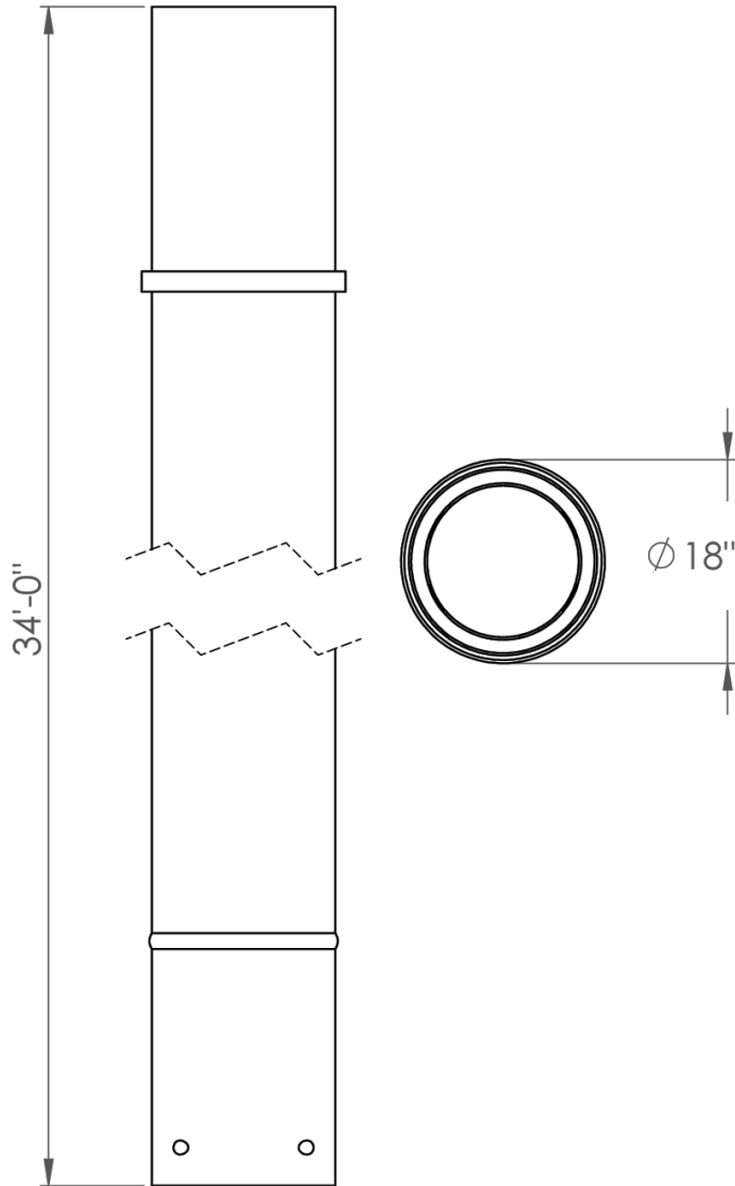
48078	78", 72", 66", 60", 54" Pile	24,000 lbs <b>Approx.</b>
-------	------------------------------	---------------------------


**18" X 10 FT FOLLOWER PIPE ASSEMBLY**

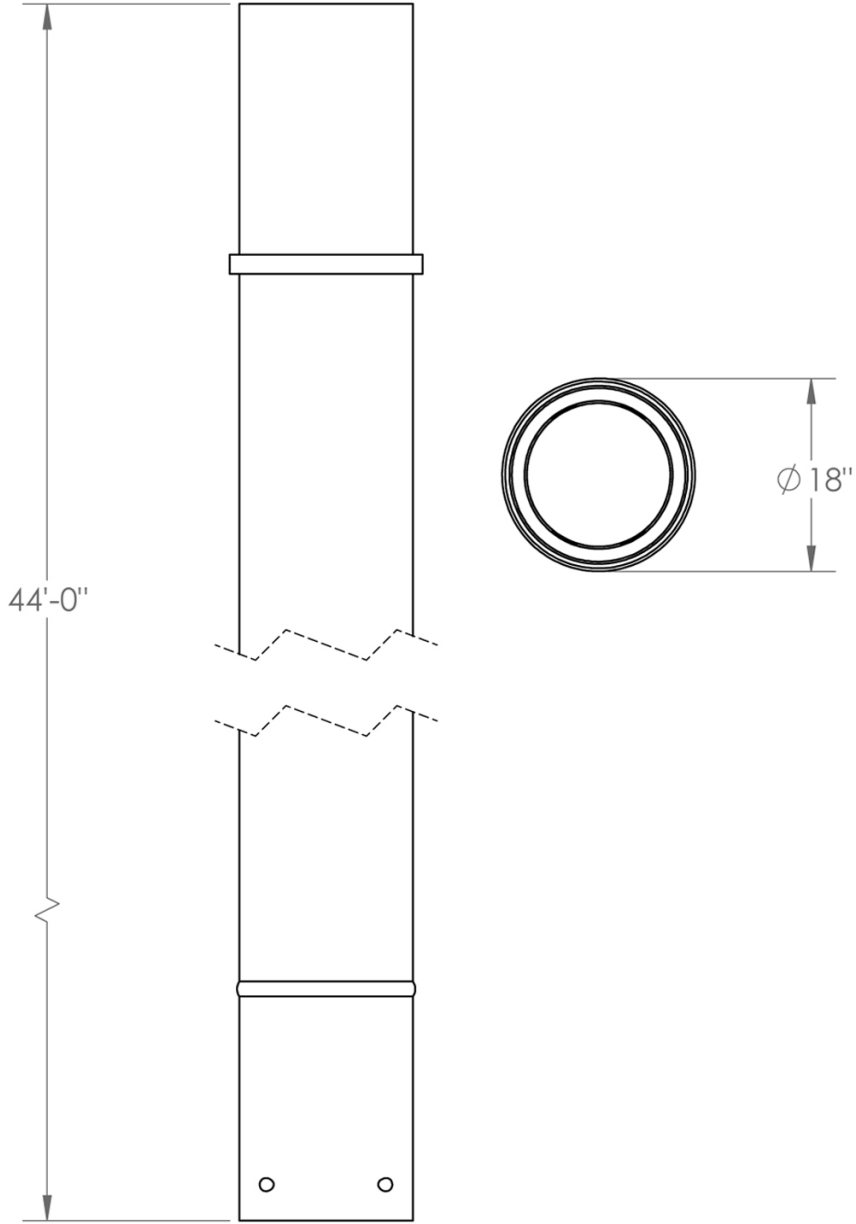
8001425	Used for various helmet inserts	3,293 lbs <b>Approx.</b>
---------	---------------------------------	--------------------------


**18" X 20 FT FOLLOWER PIPE ASSEMBLY**

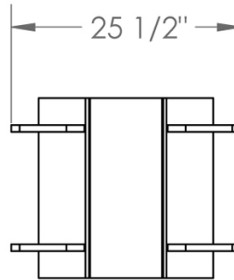
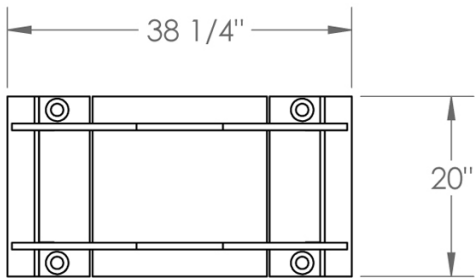
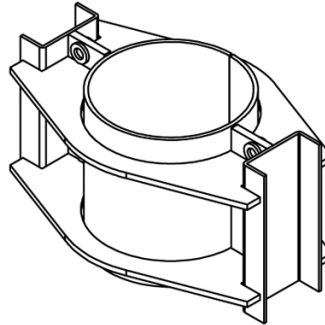
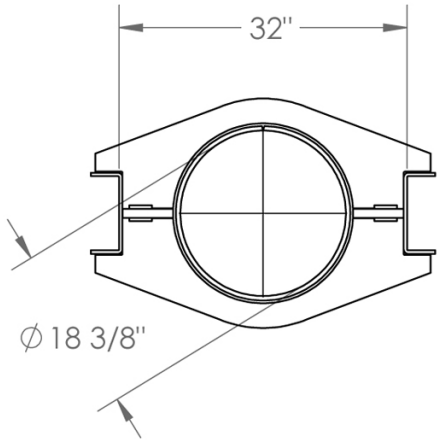
8001426	Used for various helmet inserts	6,586.34 lbs <b>Approx.</b>
---------	---------------------------------	-----------------------------


**18" X 30 FT FOLLOWER PIPE ASSEMBLY**

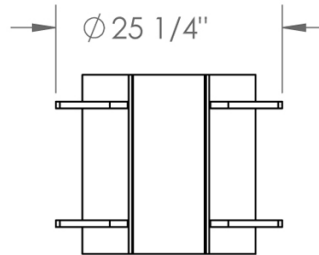
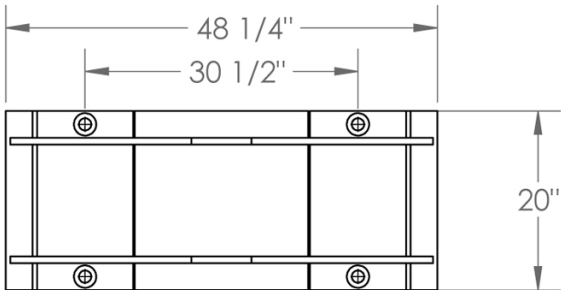
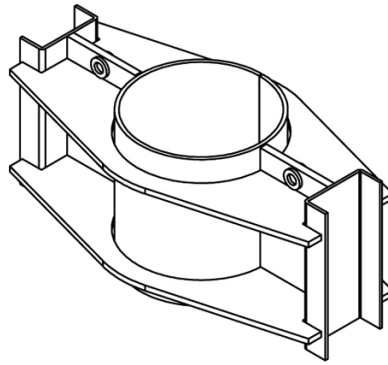
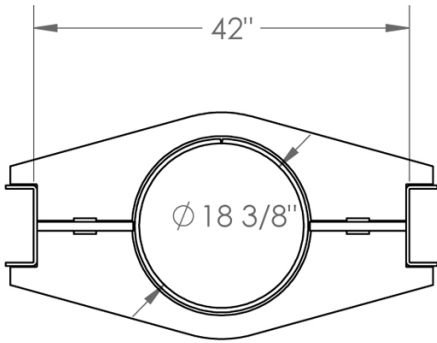
8001427	Used for various helmet inserts	9,331.49 lbs <b>Approx.</b>
---------	---------------------------------	-----------------------------

**18" X 40 FT FOLLOWER PIPE ASSEMBLY**

**18" X 40 FT FOLLOWER PIPE ASSEMBLY**

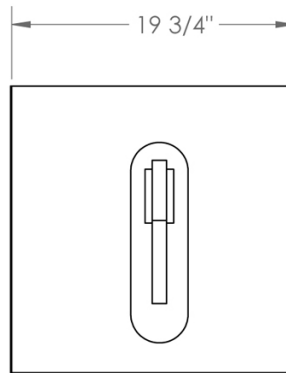
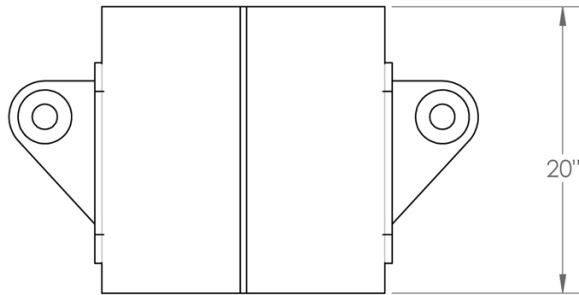
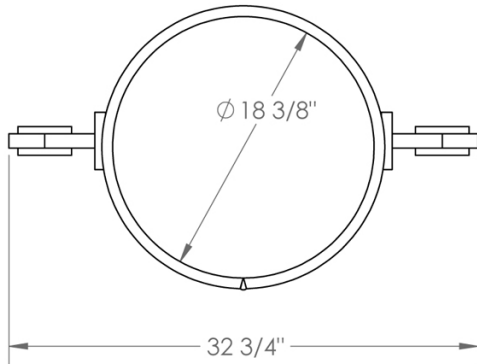
8001428	Used for various helmet inserts	12,076.64 lbs <b>Approx</b>
---------	---------------------------------	-----------------------------

**U-32 18" FOLLOWER LIFT SLEEVE W/ GUIDING**

**U-32 18" FOLLOWER LIFT SLEEVE W/ GUIDING**

8000795	U-32	451.98 lbs <b>Approx</b>
---------	------	--------------------------

**U-42 18" FOLLOWER LIFT SLEEVE W/ GUIDING**

**U-42 18" FOLLOWER LIFT SLEEVE W/ GUIDING**

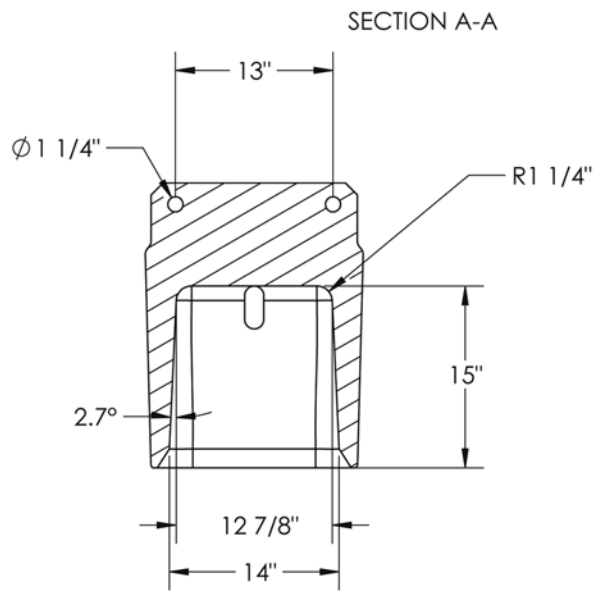
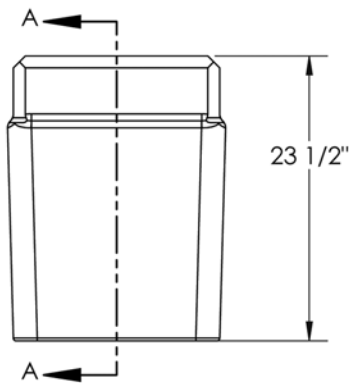
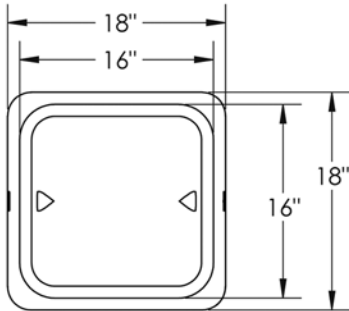
8001400	U-42	582.73 lbs <b>Approx</b>
---------	------	--------------------------

**18" FOLLOWER LIFT SLEEVE NON GUIDING**

**18" FOLLOWER LIFT SLEEVE NON GUIDING**

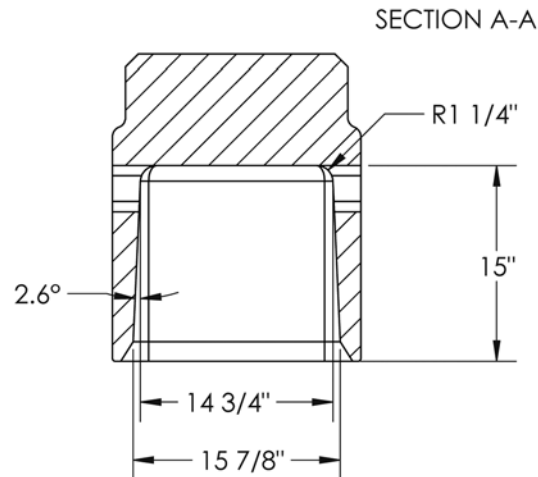
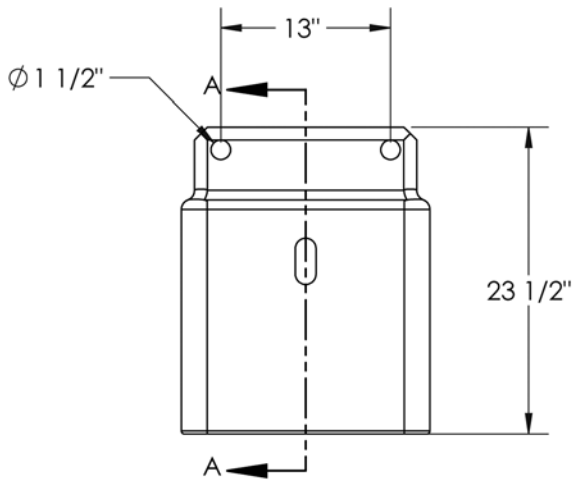
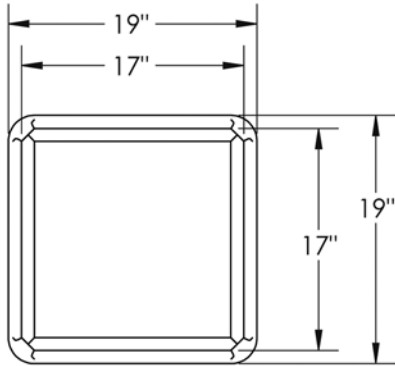
8000890		302.05 lbs <b>Approx</b>



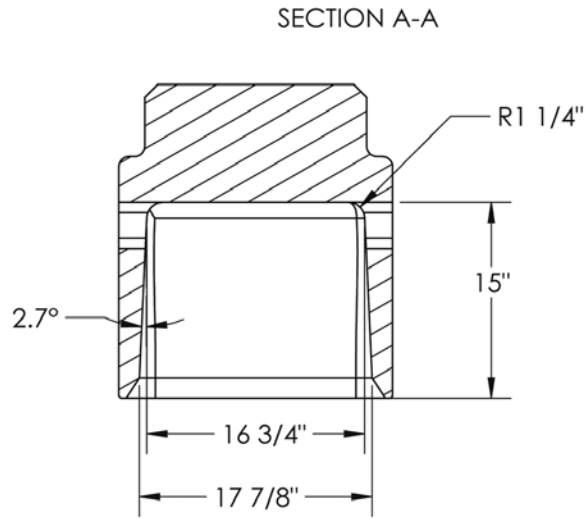
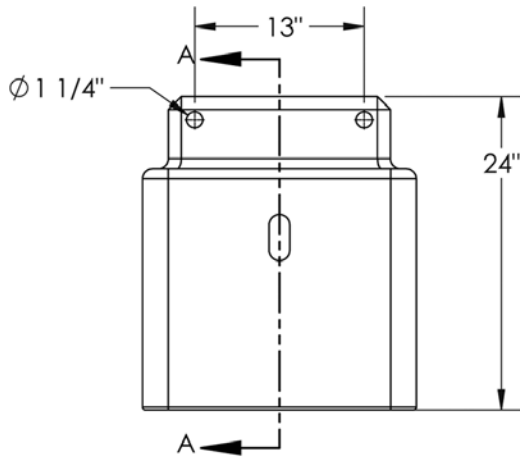
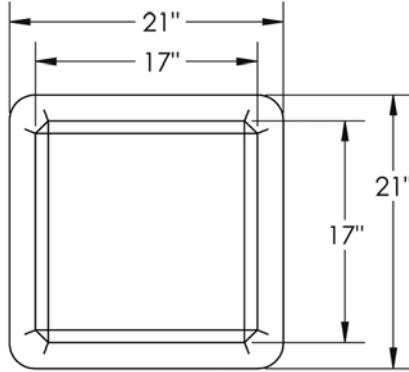
# Helmet Inserts


**Helmet Insert 12" Square Helmets**

Inserts For Concrete Piles		
500512	12" Square	1,120 lbs. <i>Approx.</i>

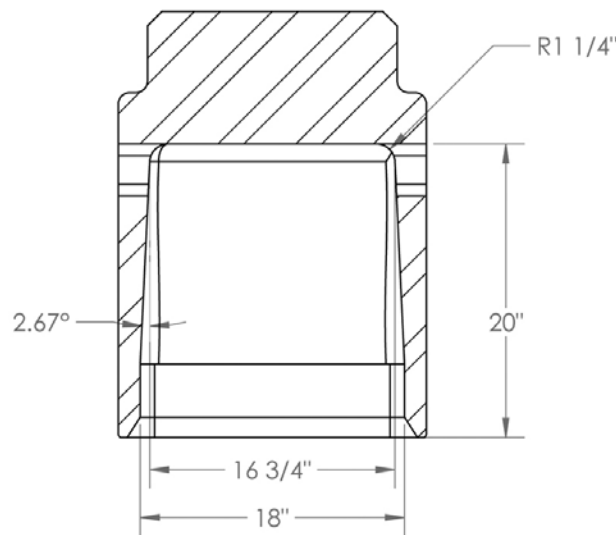
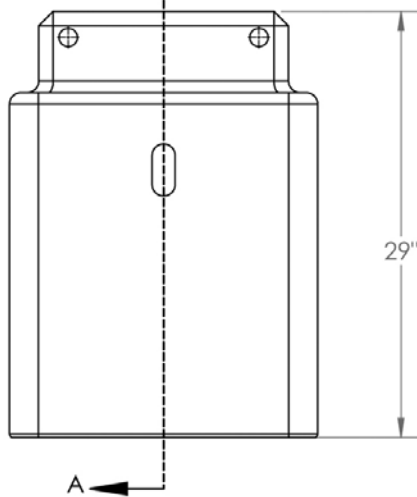
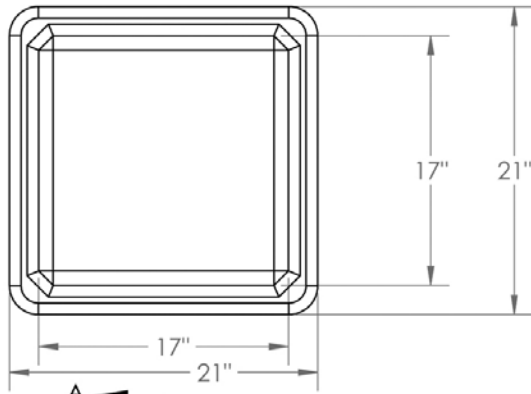

**Helmet Insert 14" Square Helmets**

Inserts For Concrete Piles		
500514	14" Square	1,170 lbs. <i>Approx.</i>


**Helmet Insert 16" Square Helmets**

Inserts For Concrete Piles		
500516	16" Square	1,570 lbs. <b>Approx.</b>

## Helmet Insert 16" Square Long Diagram

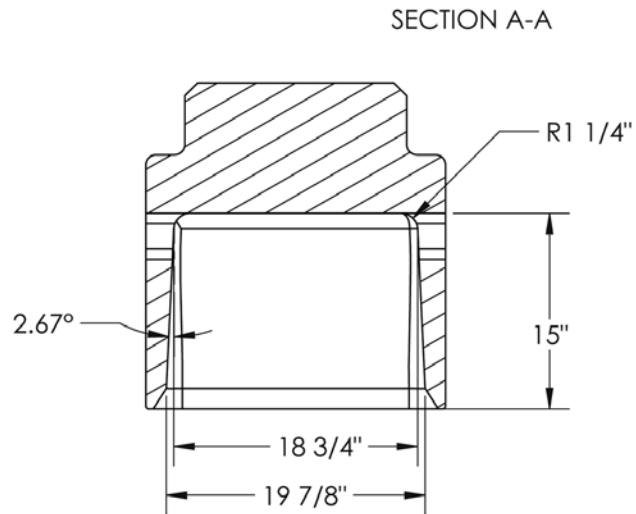
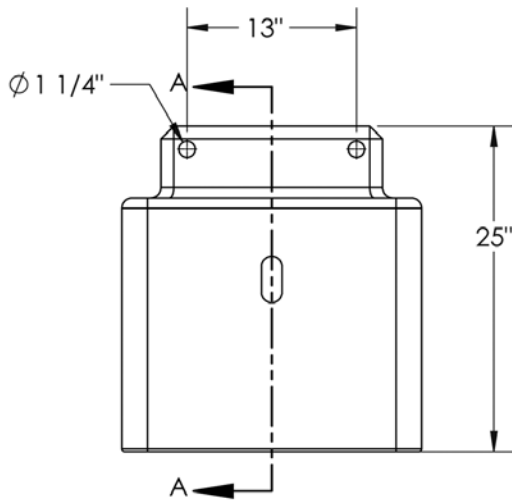
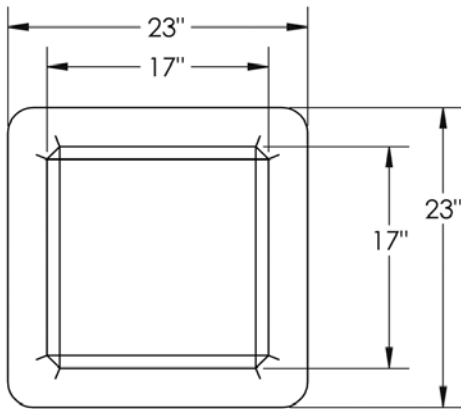


SECTION A-A  
SCALE 1 : 10



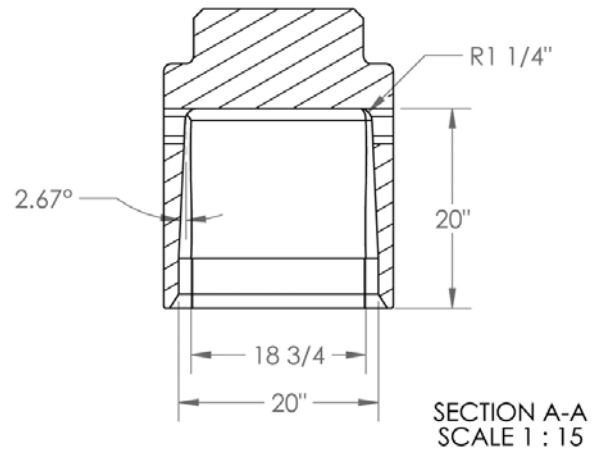
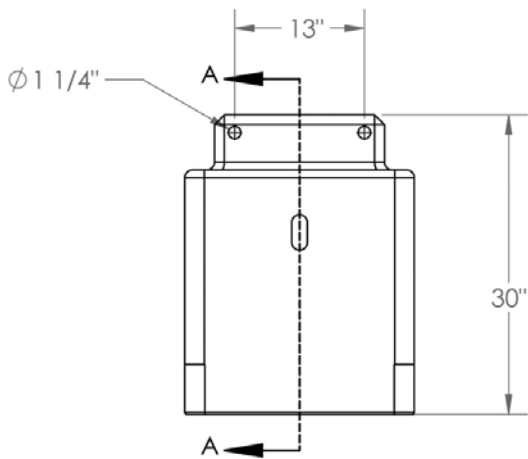
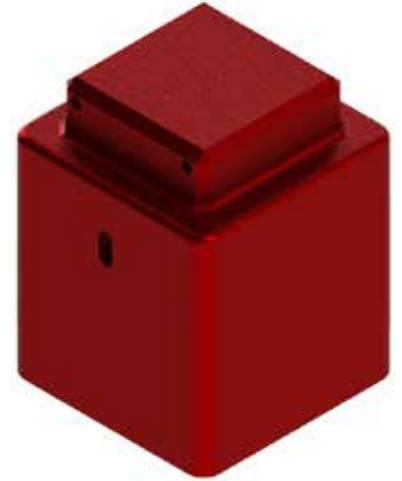
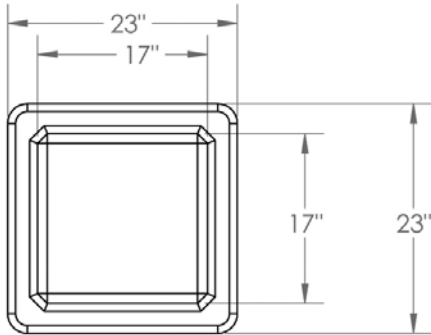
### Helmet Insert 16" Square Long Helmets

Inserts For Concrete Piles		
500516-L	16" Square	1,600 lbs. <i>Approx.</i>


**Helmet Insert 18" Square Helmets**

Inserts For Concrete Piles		
500518	18" Square	1,715 lbs. <i>Approx</i>

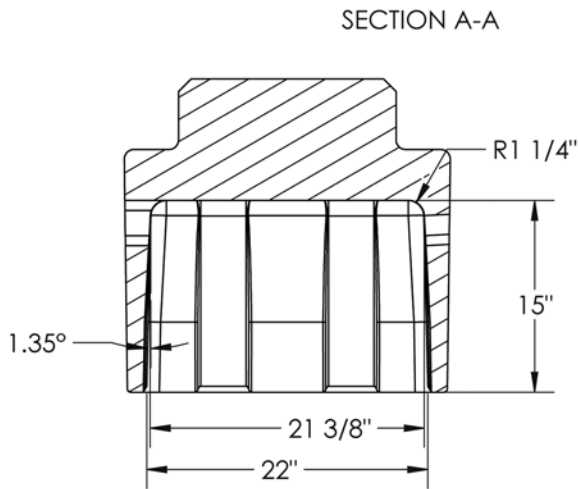
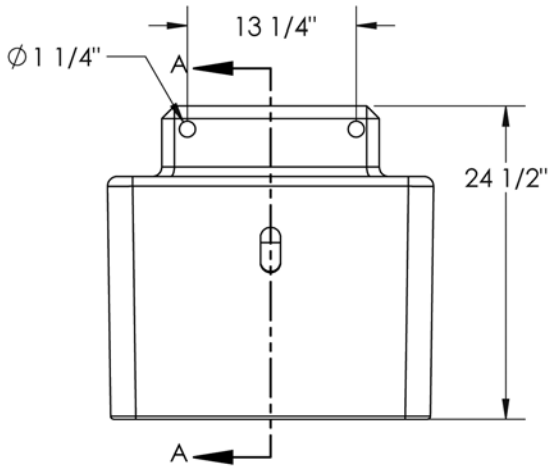
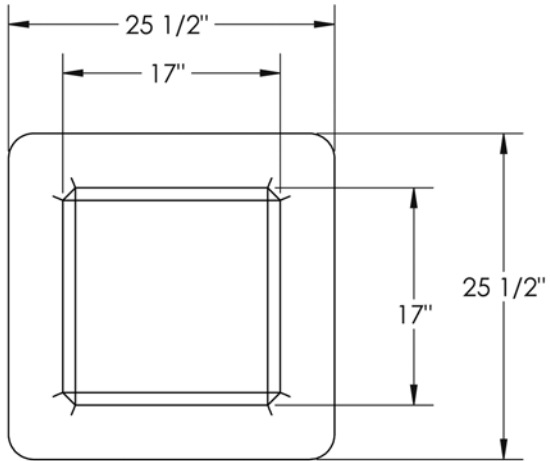
## Helmet Insert 18" Square Long Diagram



### Helmet Insert 18" Square Long Helmets

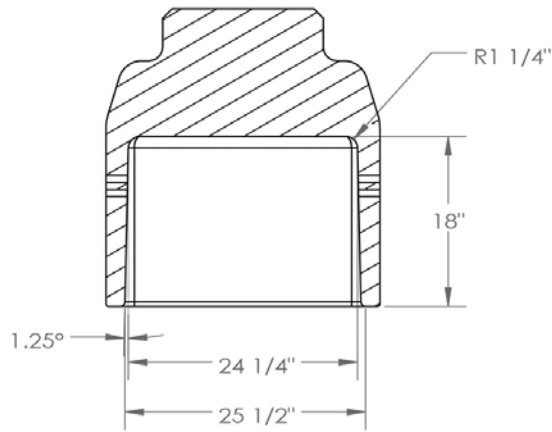
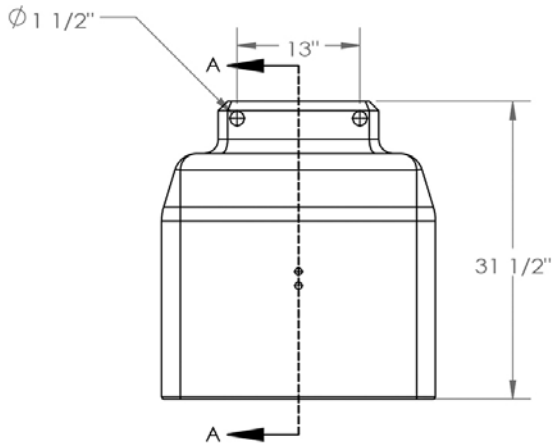
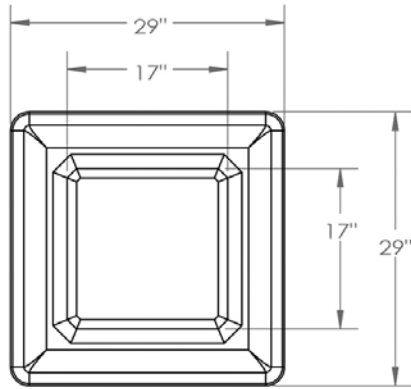
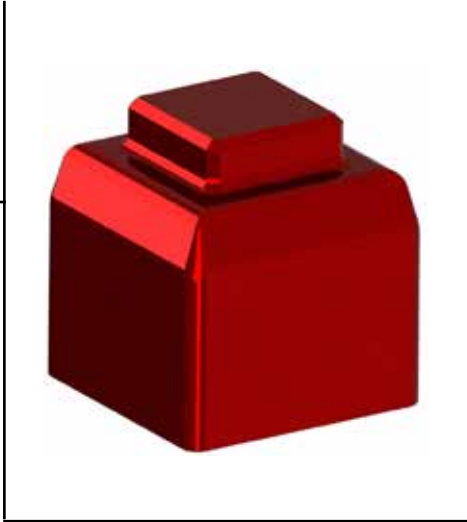
#### Inserts For Concrete Piles

500518-L	18" Square	1,800 lbs. <b>Approx</b>
----------	------------	--------------------------


**Helmet Insert 20" Square Helmets**

Inserts For Concrete Piles		
500520	20" Square	1,724 lbs. <b>Approx.</b>

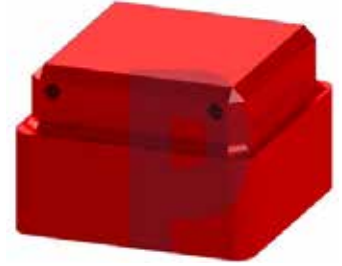
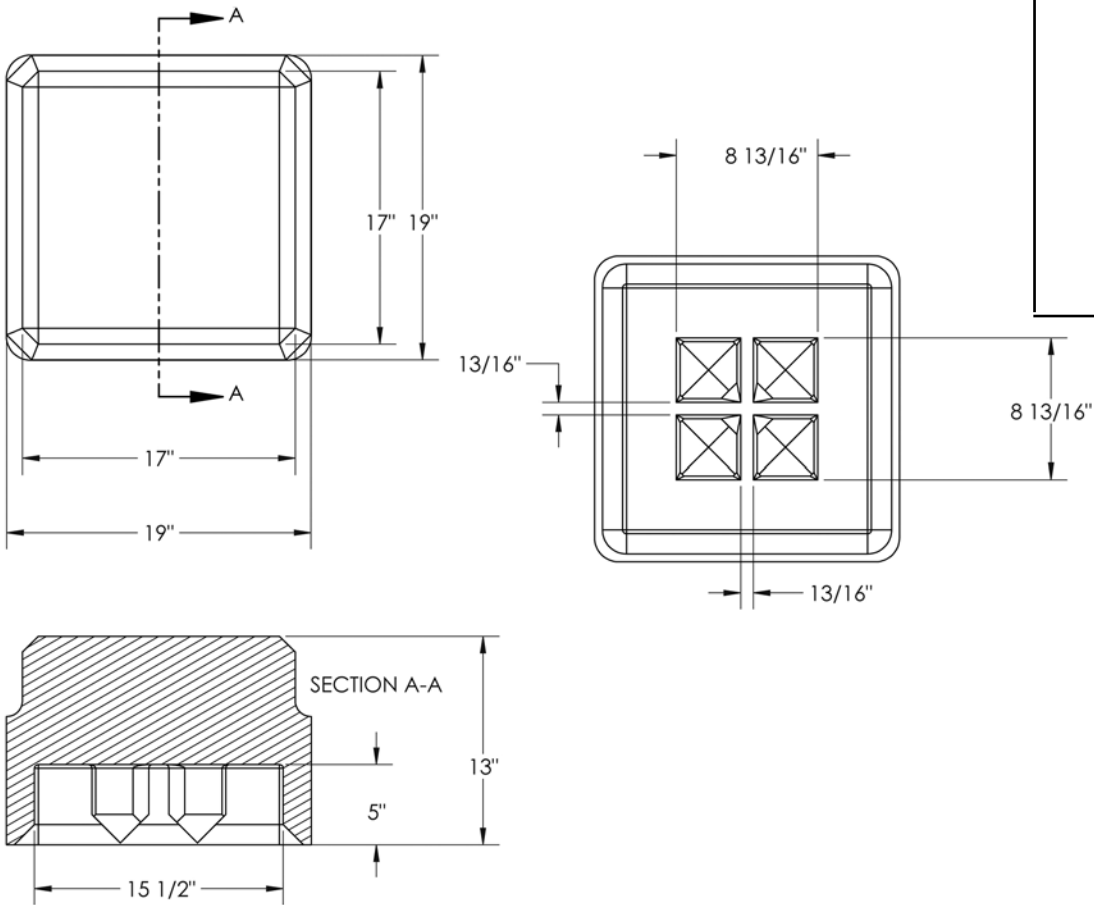




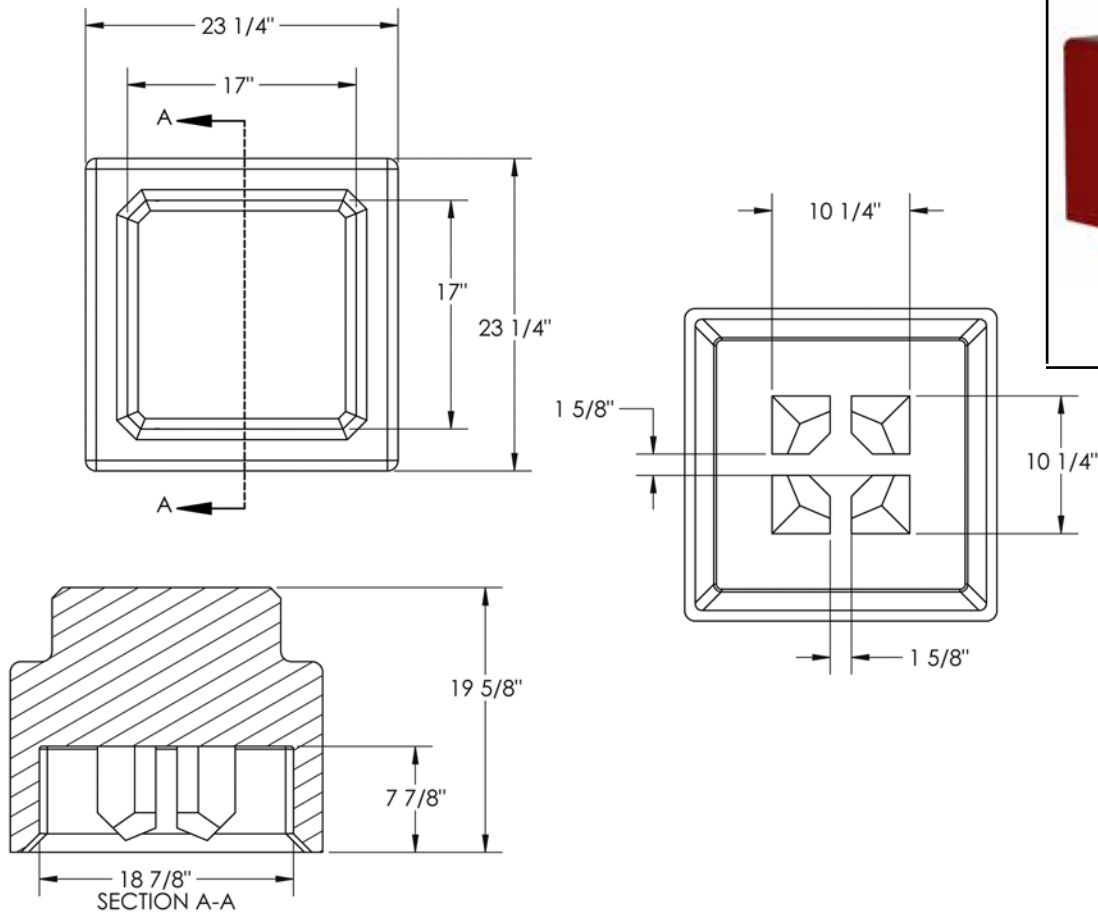
SECTION A-A  
SCALE 1 : 15

**Helmet Insert 24" Square Helmets**

Inserts For Concrete Piles		
500524	24" Square	3,272 lbs. <i>Approx.</i>


**Helmet Insert For H-Piles**

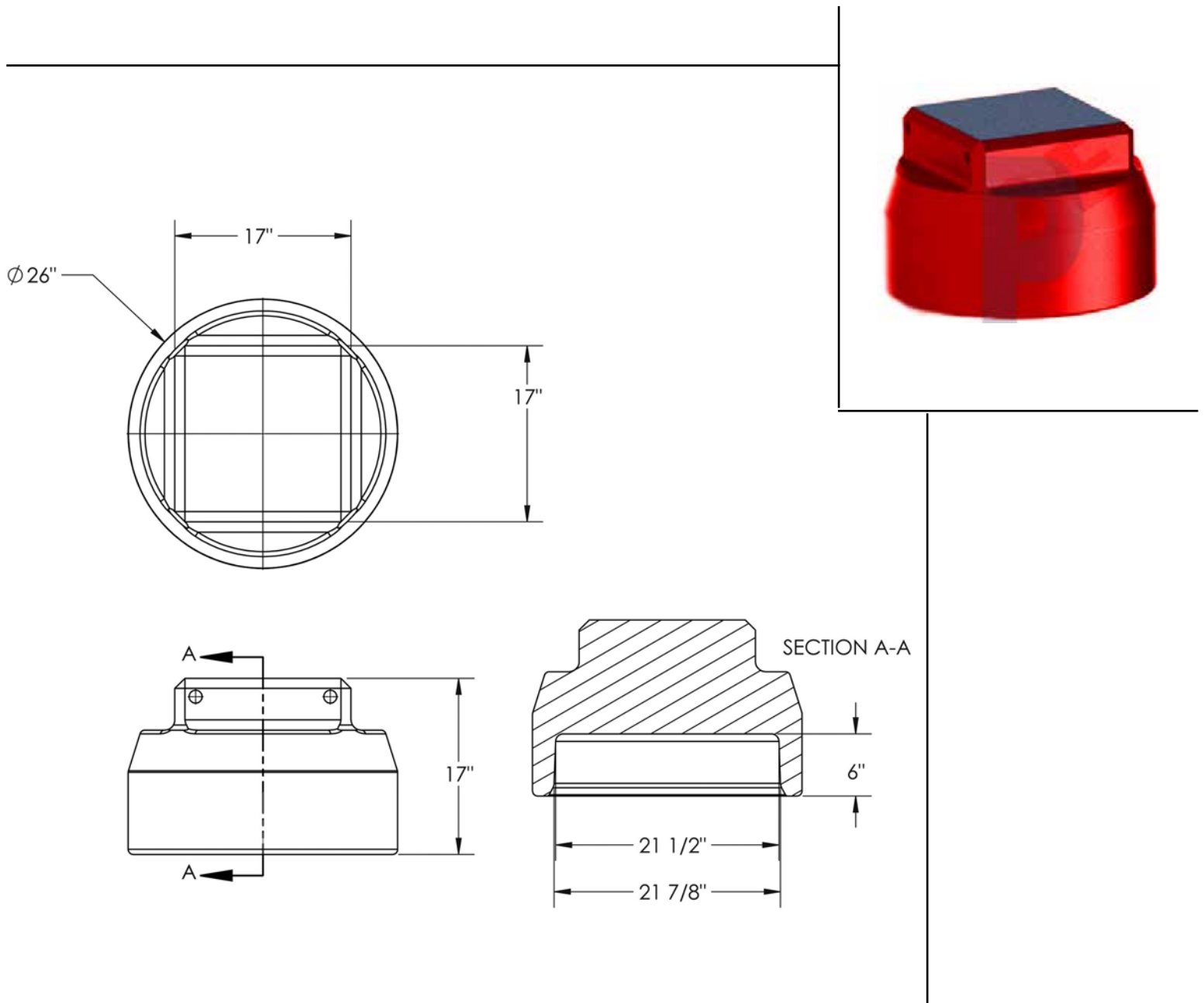
Inserts For H-Piles		
500515	10", 12", 14"	890 lbs. <i>Approx.</i>


**Helmet Insert For H-Piles**
**Inserts For H-Piles**

500518-H

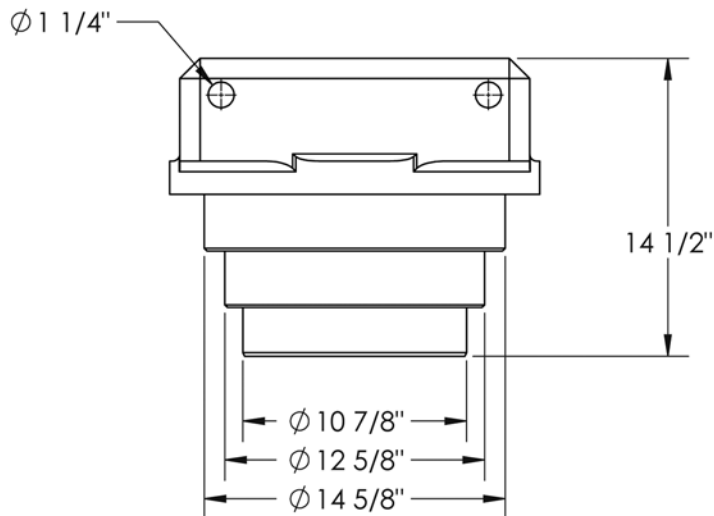
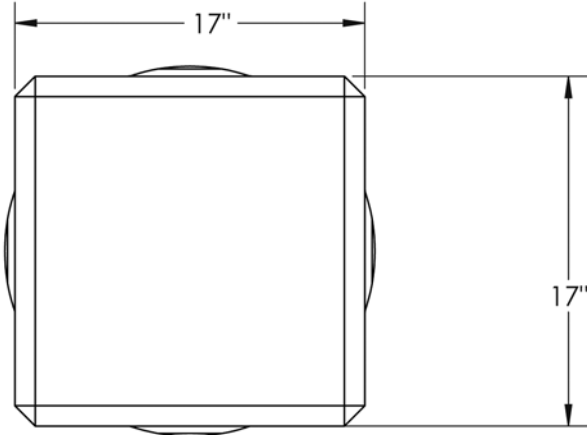
16", 18",

 1883.78 lbs. *Approx.*


**Helmet Insert For H-Piles**

Inserts For H-Piles		
500515-AR	HANDLES 14" HP BEAM UP TO 117	1,507 lbs. <i>Approx.</i>

## Helmet Inserts up to 16" Ø Pipe-Piles Diagram



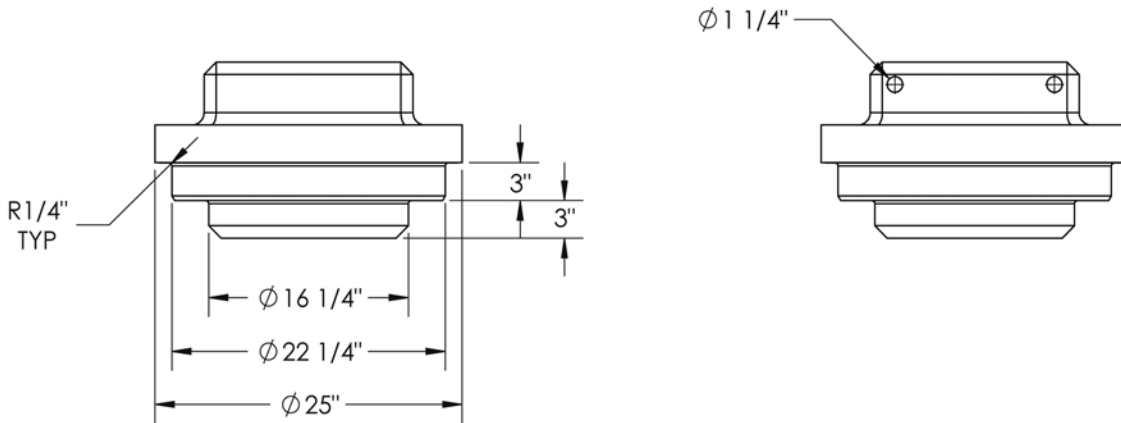
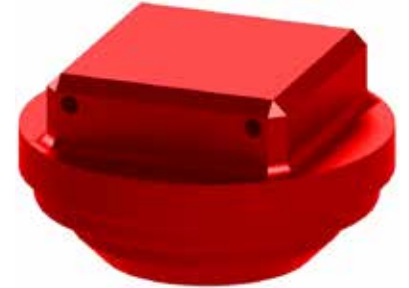
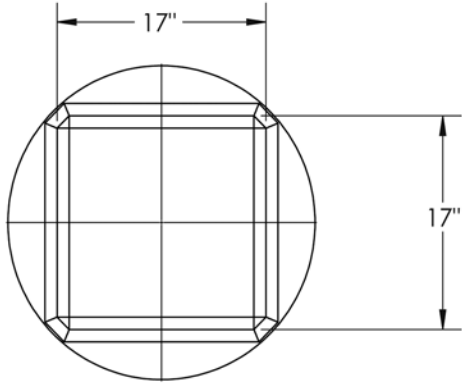
### Helmet Insert For Pipe-Piles

#### Inserts For Pipe-Piles

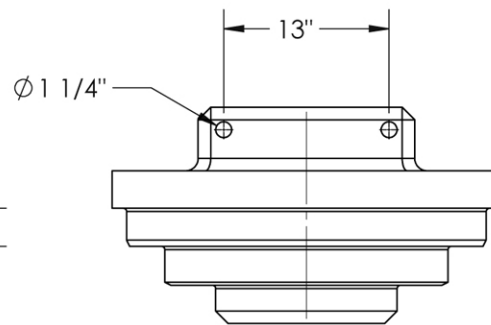
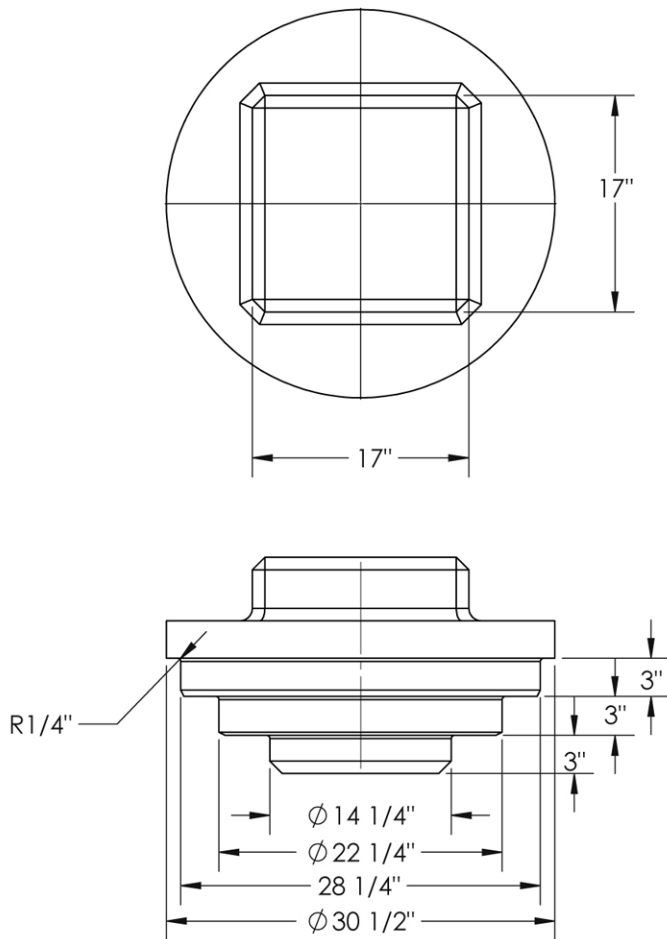
500508-C

up to 16" Ø

760 lbs. **Approx.**


**Helmet Insert For Pipe-Piles**
**Inserts For Pipe-Piles**

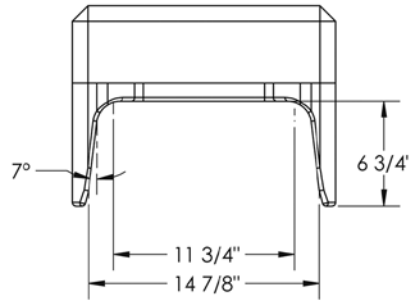
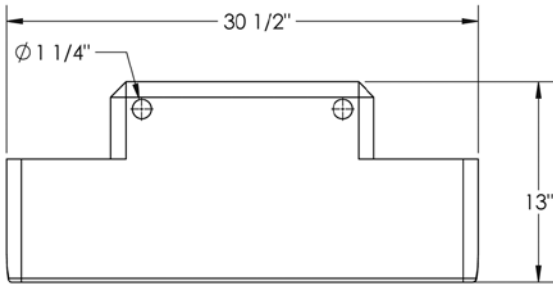
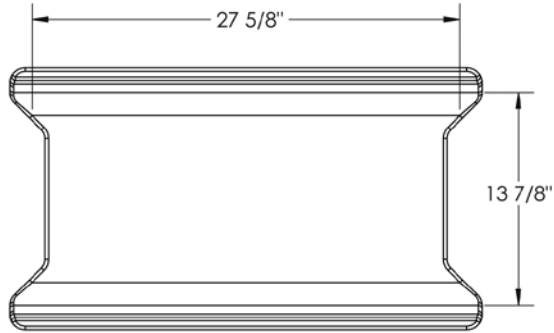
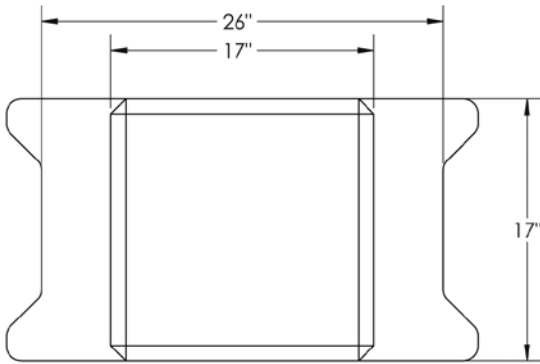
500509	up to 24" Ø	1,380 lbs. <b>Approx.</b>
--------	-------------	---------------------------


**Helmet Insert For Pipe-Piles**
**Inserts For Pipe-Piles**

500509-2

up to 30" Ø

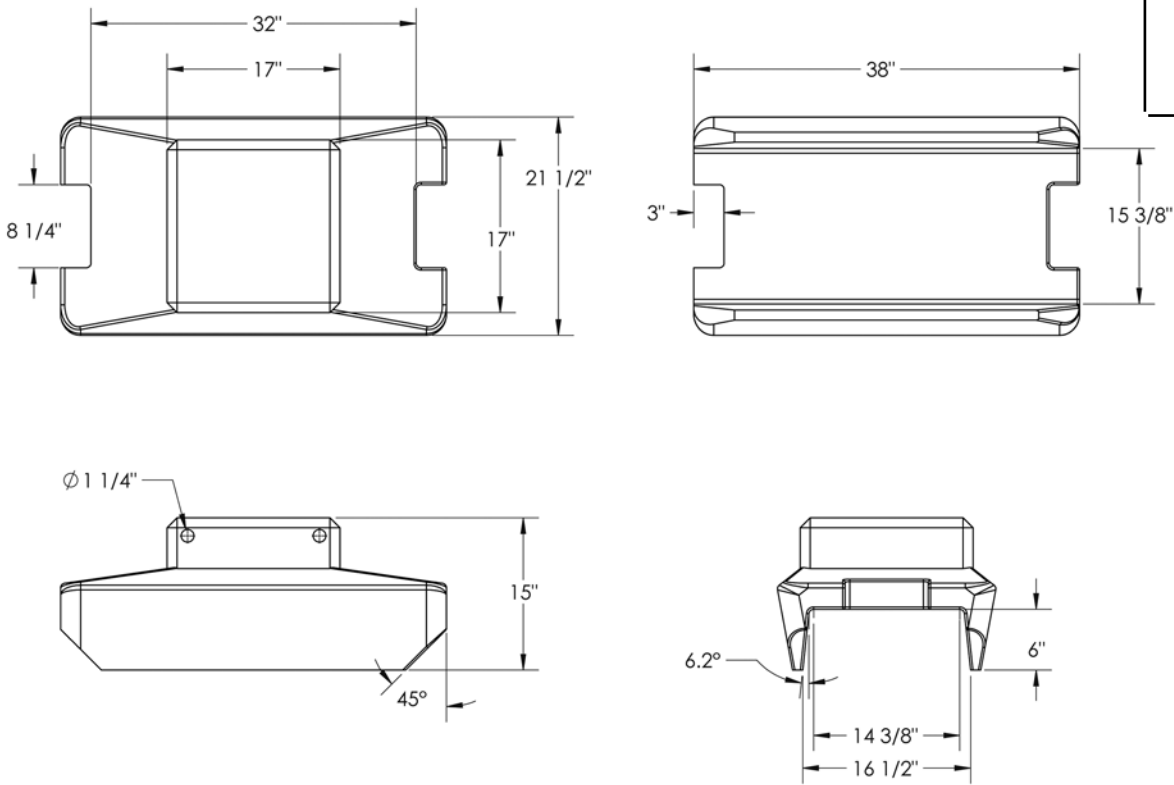
 2,210 lbs. **Approx.**


**Helmet Insert Sheet Piles**

Inserts For Sheet				
#	Length	Width	min. U-lead	Weight
500513	30.5"	13.5"	26.5" x 8"	870 lbs. <i>Approx.</i>

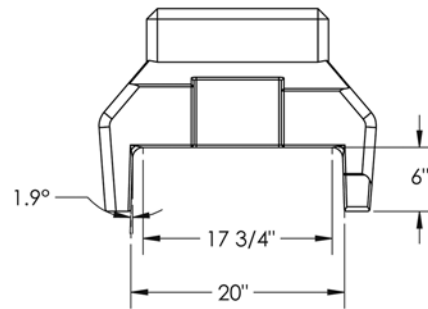
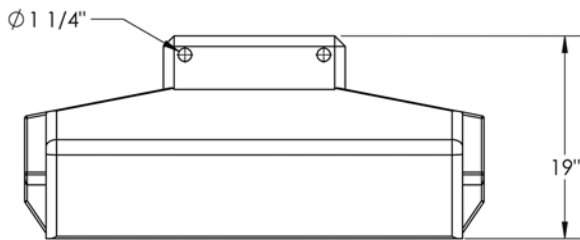
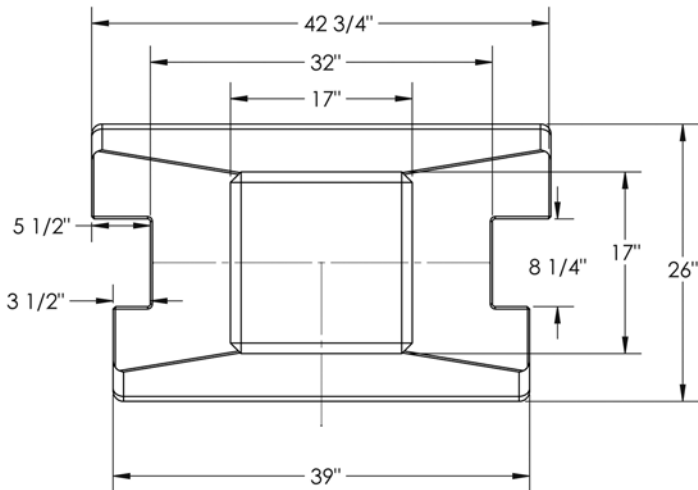
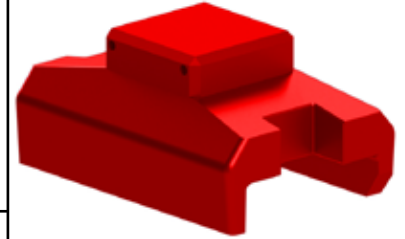


## Helmet Inserts for Sheet Piles 38" Diagram

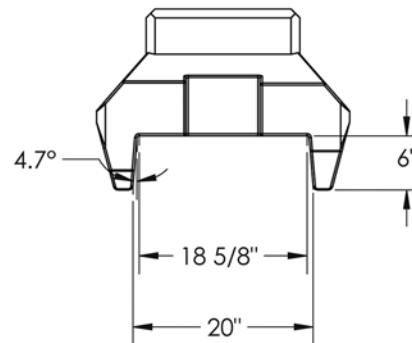
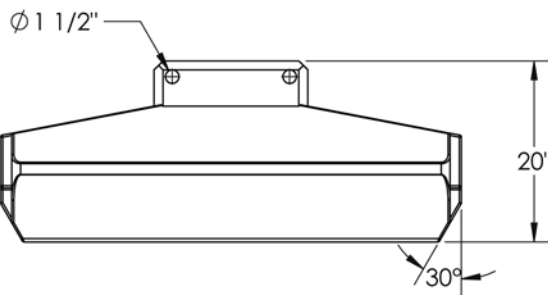
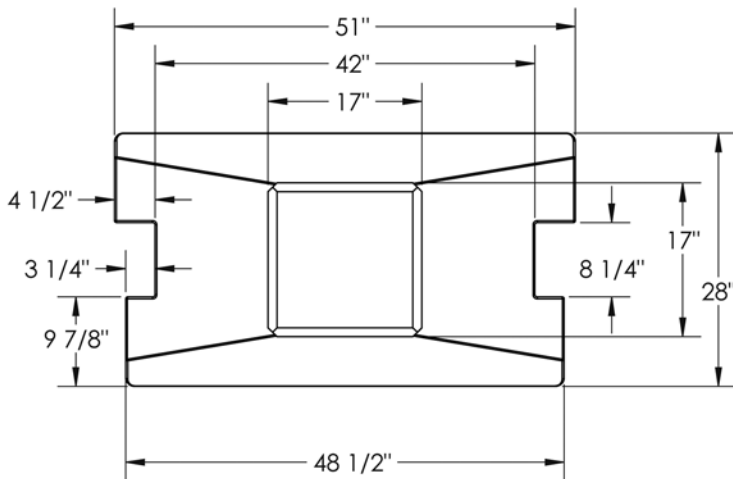
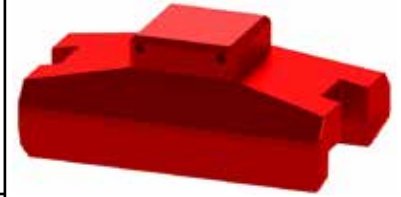


### Helmet Insert Sheet Piles

Inserts For Sheet				
#	Length	Width	min. U-lead	Weight
500513-2	38"	16.5"	32.5" x 8"	1,400 lbs. Approx.

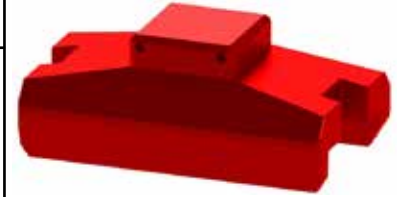
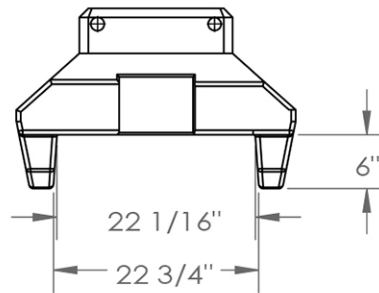
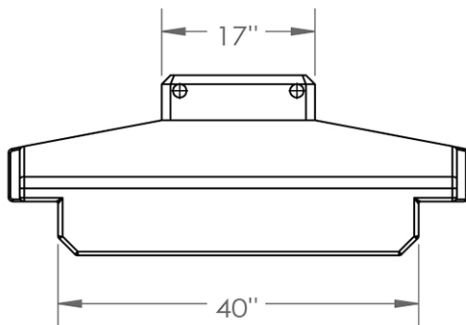
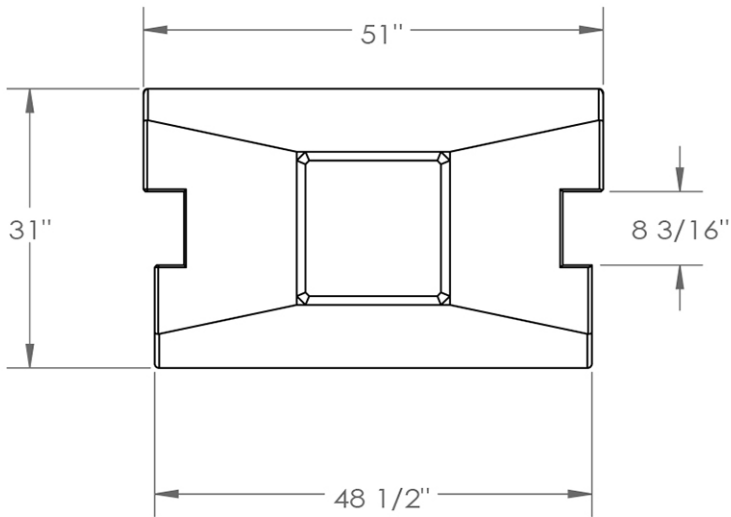

**Helmet Insert Sheet Piles**

Inserts For Sheet				
#	Length	Width	min. U-lead	Weight
500513-4A	43"/39"	19.6"	32.5" x 8"	2,600 lbs. Approx.


**Helmet Insert Sheet Piles**

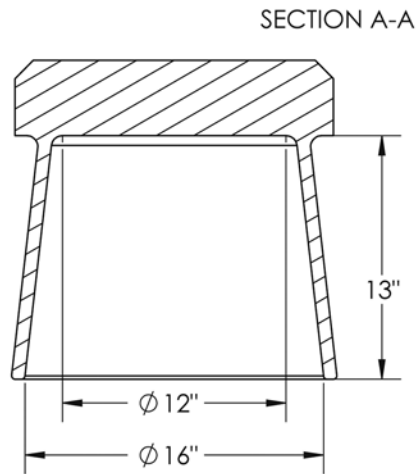
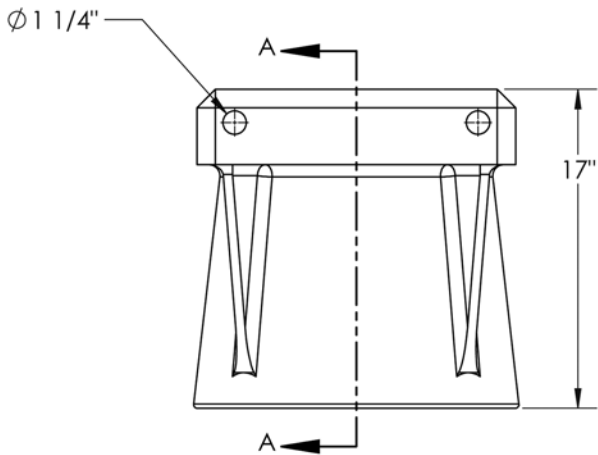
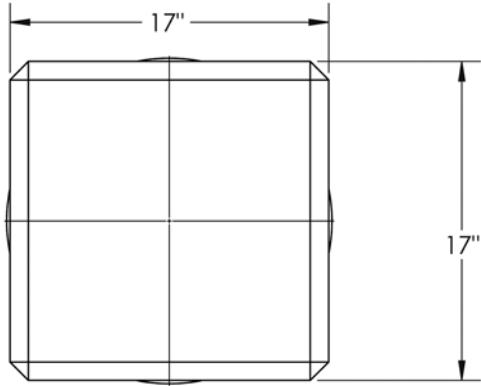
Inserts For Sheet				
#	Length	Width	min. U-lead	Weight
500513-5	51"	19"	42.5" x 8"	3,600 lbs Approx.

## Helmet Inserts for Sheet Piles 51" x 22" Diagram



### Helmet Insert Sheet Piles

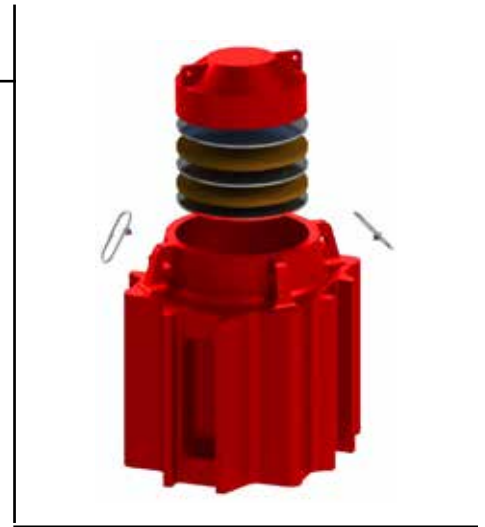
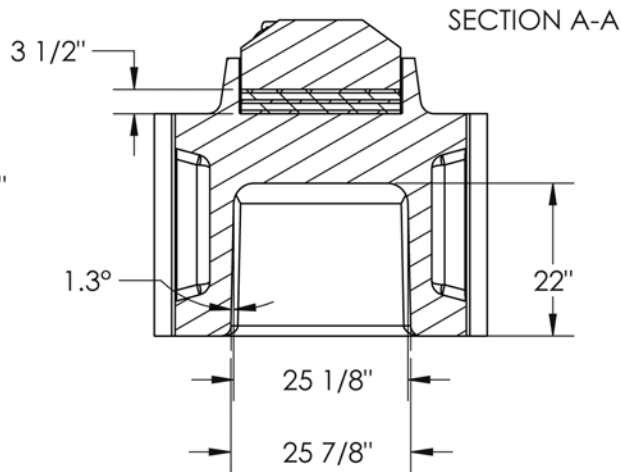
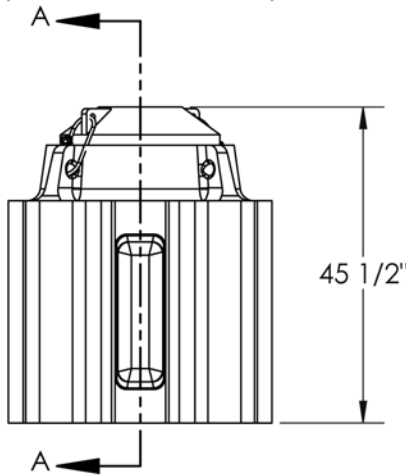
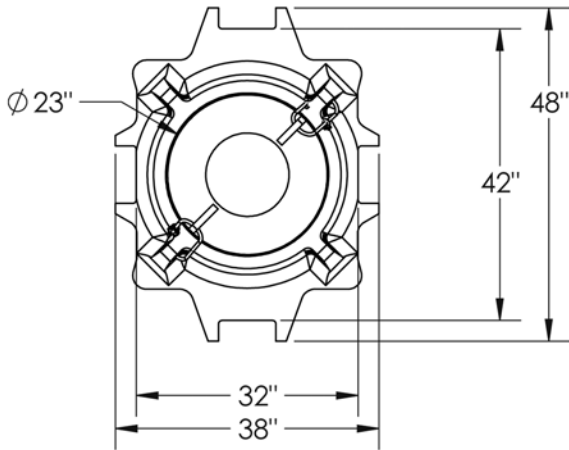
Inserts For Sheet				
#	Length	Width	min. U-lead	Weight
500513-6	51"	22"	42.5" x 8"	3,800 lbs Approx.


**Helmet Insert For Timber Piles**


Inserts For Timber		
500506	up to 12" $\phi$	560 lbs. <b>Approx.</b>

# Square Concrete Helmets

## P-510 Concrete Helmet 24" sq. Assembly & Diagram



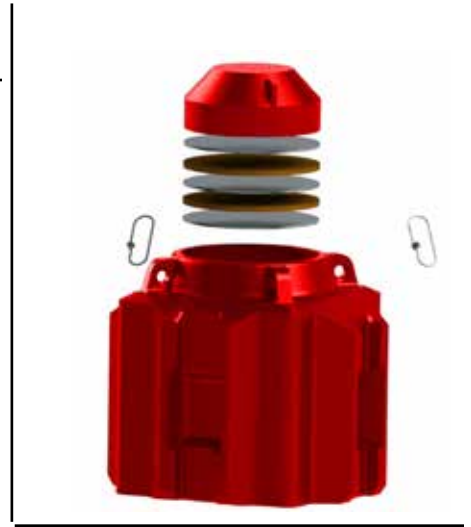
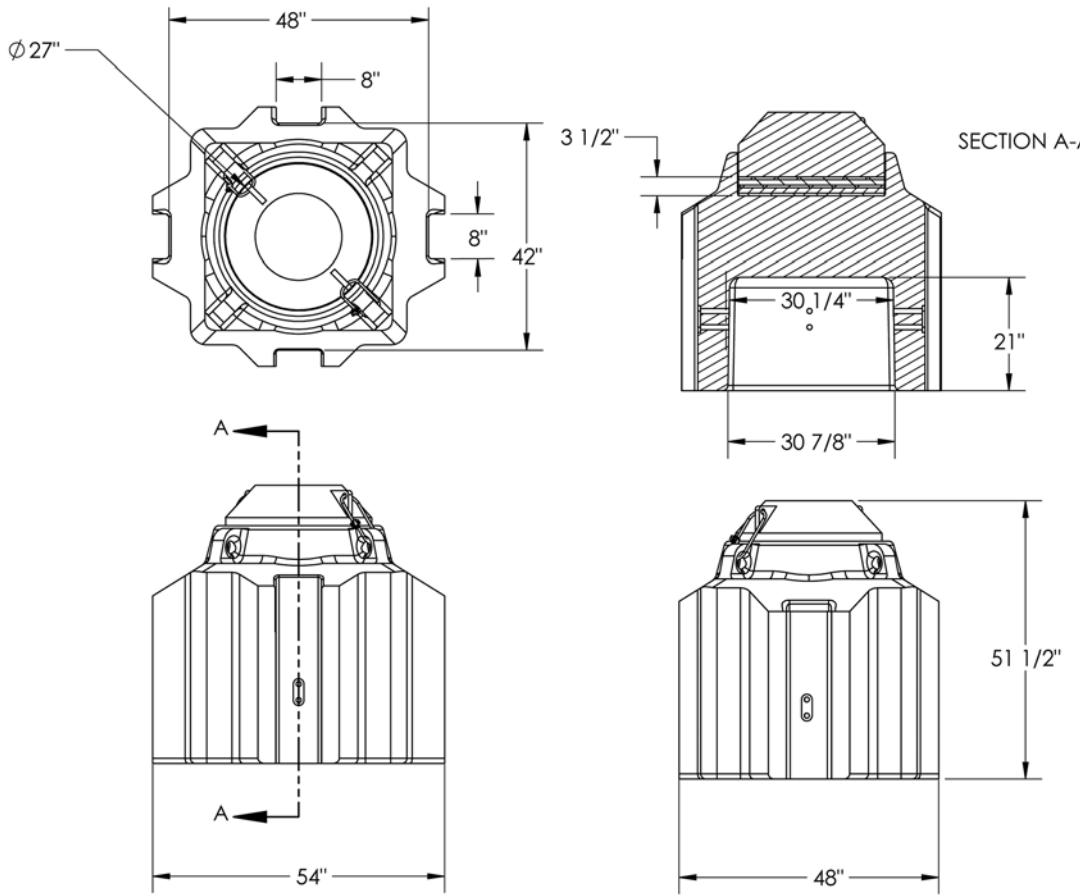
### P-510 24" sq. Concrete Helmet Assembly

	#	Assembly	Qty	Weight lbs. <b>Approx.</b>	Accessories
	500024-B	24"sq Concrete Helmet	1	7,056 lbs	steel cable 2
	500315	striker plate 23" X 10"	1	974	(910-CBCP-12MM) cable clamp 2
	500159	aluminium cushion 23" x 1/2"	3	63 (for 3)	
	500109	phenolic cushion 23" x 1"	2	56 (for 2)	


**Square Pile Size: 24" U-Lead Guiding: 32.5"x 8", 42.5" x 8"**

**Total weight approx. = 8,149 lbs**

## P-511 Concrete Helmet 30" sq. Assembly & Diagram



### P-511 30" sq. Concrete Helmet Assembly

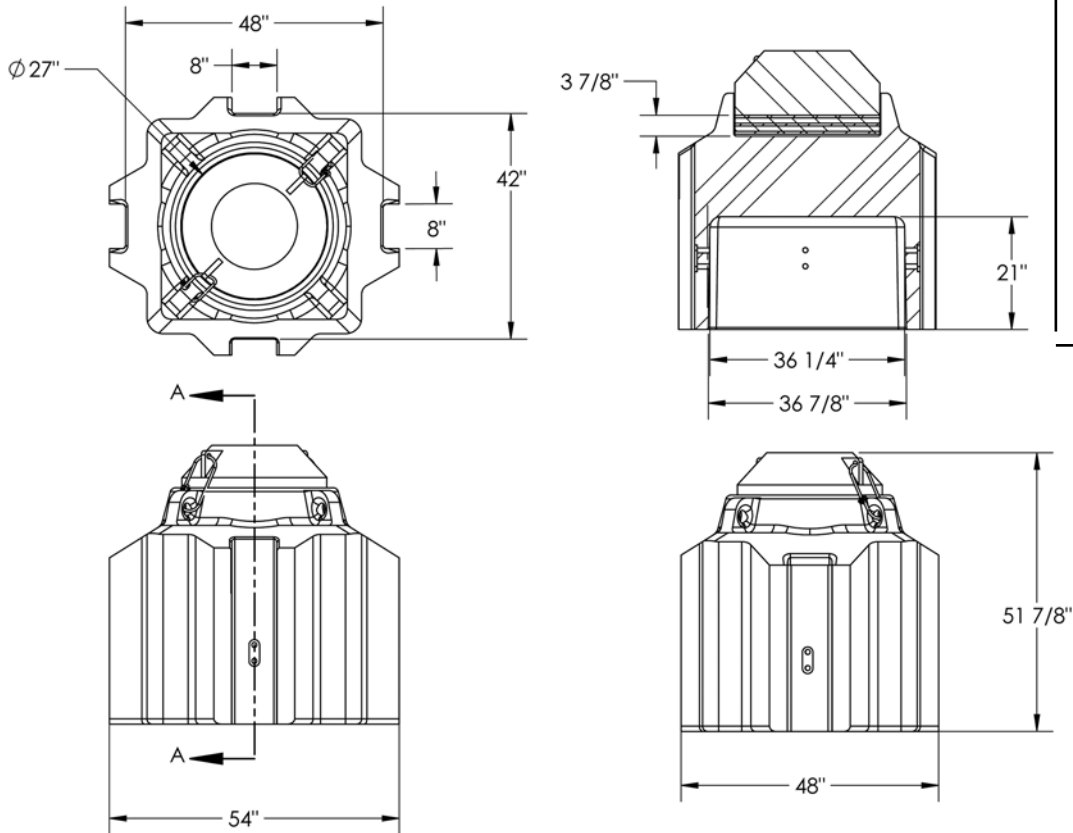
	#	Assembly	Qty.	Weight lbs. <b>Approx.</b>	Accessories
	500030-C	30"sq Concrete Helmet	1	12,566	steel cable 2
500330	striker plate, Ø 27"x12"	1	1,532	(910-CBCP-12MM) cable clamp 2	
500160	aluminium cushion Ø 27" x 1/2"	3	84 (for 3)		
500110	phenolic cushion, Ø 27" x 1"	2	76 (for 2)		

**Square Pile Size: 30" U-Lead Guiding: 42.5" x 8", 48.5" x 8"**


**Total weight approx. = 14,257 lbs**



## P-512 Concrete Helmet 36" sq. Assembly & Diagram



### P-512 36" sq. Concrete Helmet Assembly

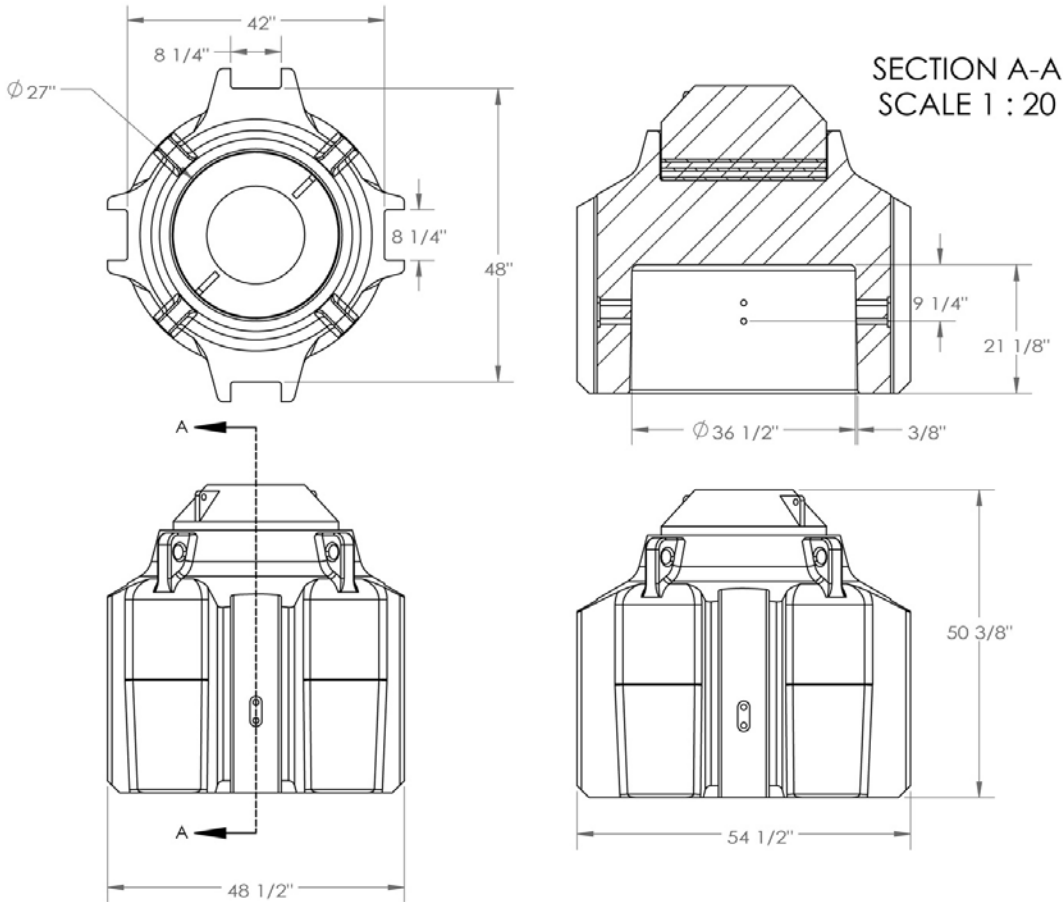
	#	Assembly	Qty.	Weight lbs. <b>Approx.</b>	Accessories
	500036-C	36" sq Concrete Helmet	1	10,317	steel cable 2
500330	striker plate, Ø 27"x12"	1	1,532	(910-CBCP-12MM) cable clamp 2	
500160	aluminium cushion, Ø 27" x 1/2"	3	84 (for 3)		
500110	phenolic cushion, Ø 27" x 1"	2	76 (for 2)		

**Square Pile Size: 36" U-Lead Guiding: 42.5" x 8", 48.5" x 8"**


**Total weight approx.= 12,009 lbs**

# Concrete Cylinder Pile Helmets

## P-531 36" Concrete Cylinder Helmet Assembly & Diagram



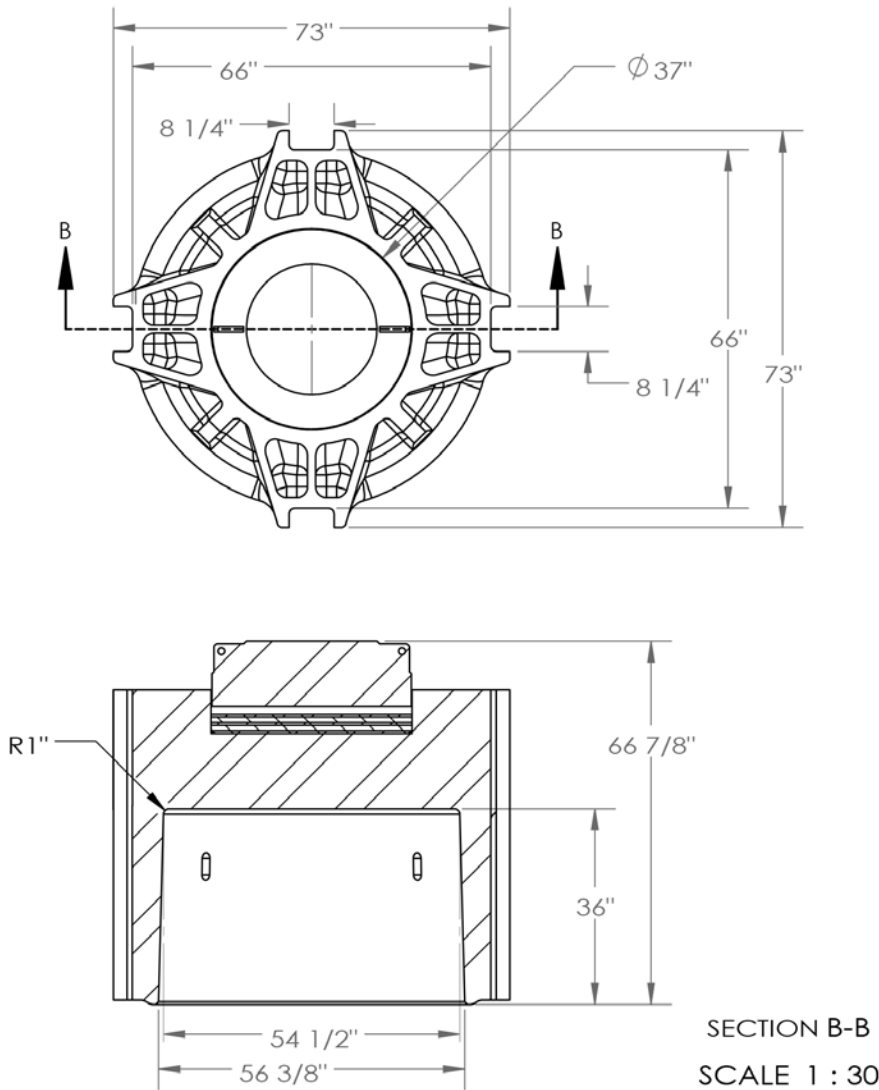
### P-531 36" Concrete Cylinder Pile Helmet Assembly

	#	Assembly	Qty.	Weight lbs. <b>Approx.</b>	Accessories
	410467	36" Concrete Cylinder Pile Helmet	1	10,127	steel cable 2
500330	striker plate, Ø 27"x12"	1	1,532	(910-CBCP-12MM) cable clamp 2	
500160	aluminium cushion, Ø 27" x 1/2"	3	84 (for 3)		
500110	phenolic cushion, Ø 27" x 1"	2	76 (for 2)		


**Round Pile Size: 36" U-Lead Guiding: 42.5" x 8", 48.5" x 8"**

**Total weight approx.= 11,819 lbs**

## P-519 54" Offshore Concrete Cylinder Assembly & Diagram



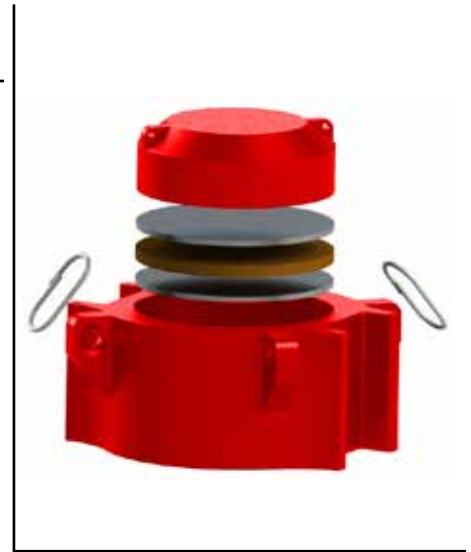
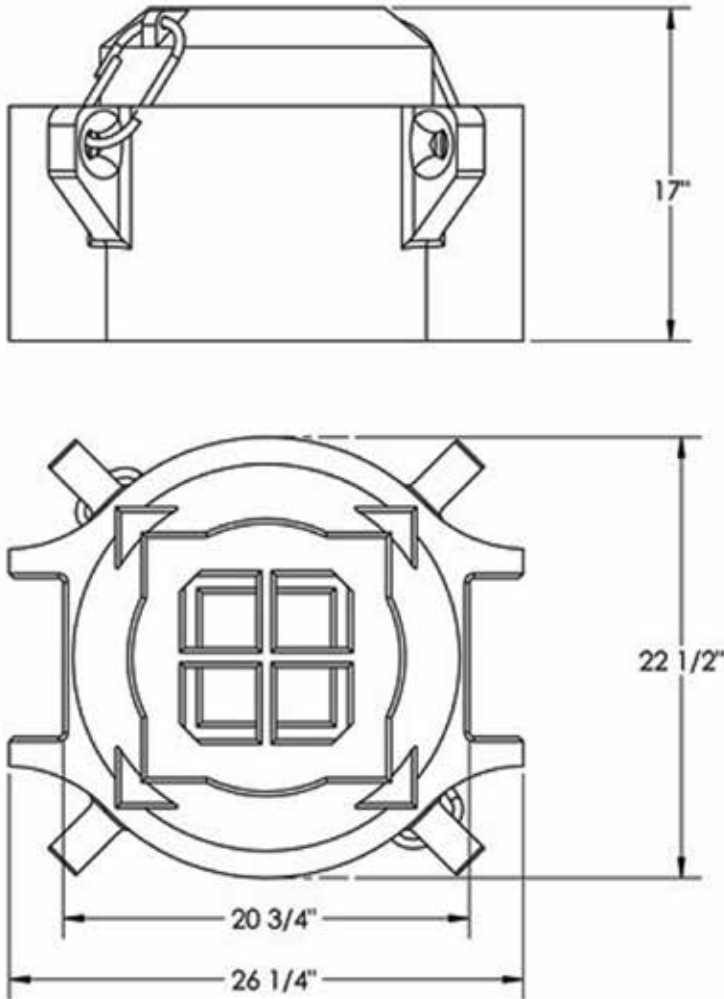
### P-519 54" Offshore Concrete Cylinder (Solid Cap)

	#	Assembly	Qty.	Weights lbs. <b>Approx.</b>	Accessories
	25081-B	54" Concrete Cylinder Helmet	1	26,017	steel cable 2
500335	striker plate, Ø 37" X 12"	1	3,080	(910-CBCP-12MM) cable clamp 2	
500165	aluminium cushion, Ø 37" x 1/2"	3	159 (for 3)		
500115	phenolic cushion, Ø 37" x 1"	2	142 (for 2)		
				<b>Total:</b> <b>29,398 lbs approx.</b>	


**Concrete Cylinder Pile Size: 54"**

**U-Lead Size: 66.5"x 8"**

# Universal Helmets



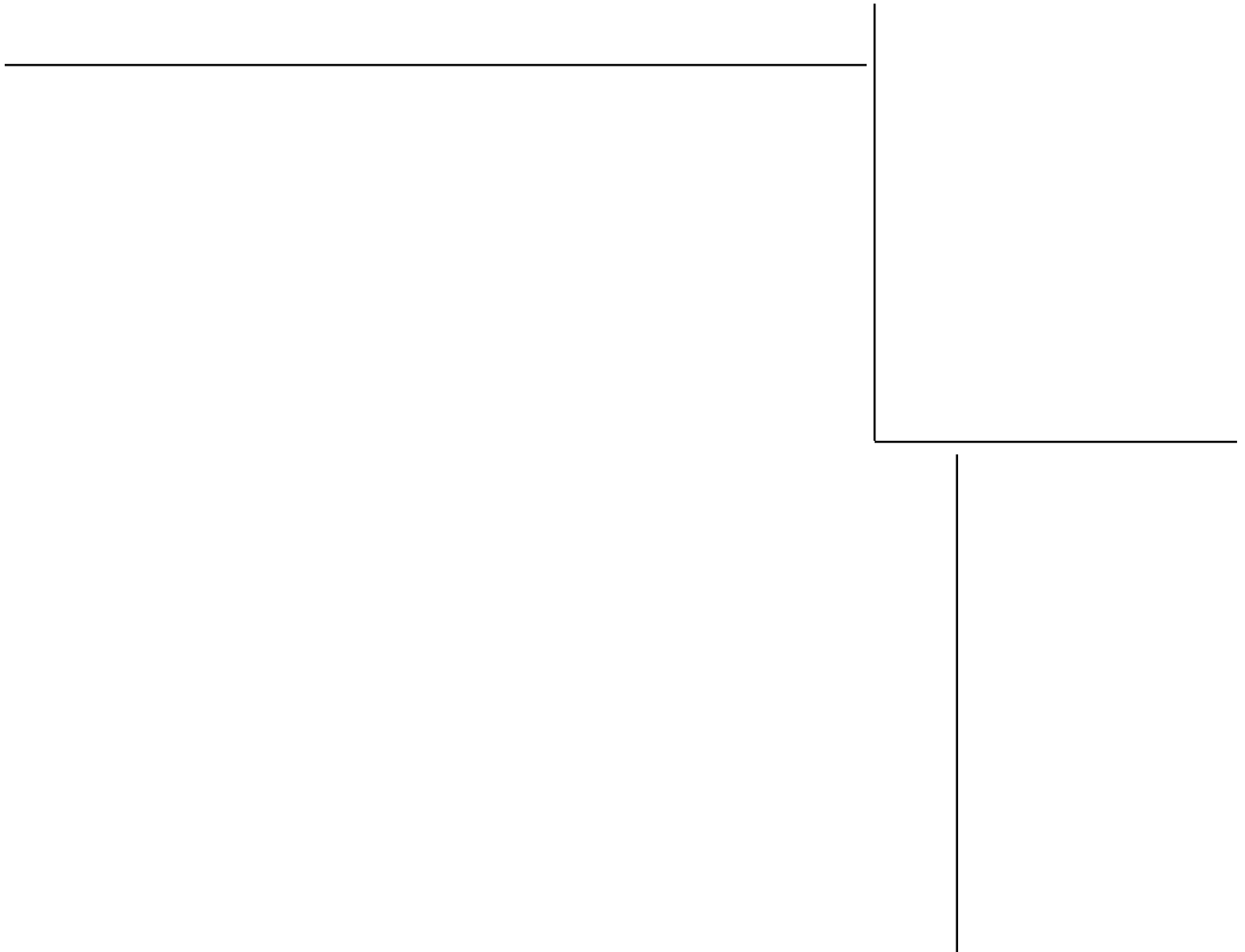
### P-513 21" Universal Helmet Assembly


	#	Assembly	Qty	Weight lbs. <b>Approx.</b>	Accessories
	500000	21" Universal Helmet	1	904	steel cable 2
	500307	striker plate, Ø 17"x 6"	1	330	(910-CBCP-12MM) cable clamp 2
	500157	aluminium cushion, Ø 17" x 1/2"	2	22 (for 2)	
	500107	phenolic cushion, Ø 17" x 1"	1	12	
			<b>Total:</b>		
			<b>1,268 lbs approx.</b>		

**Pile Type:** Steel beams: 8", 10", 12" Steel Pipe Ø: 10", 12", 14"

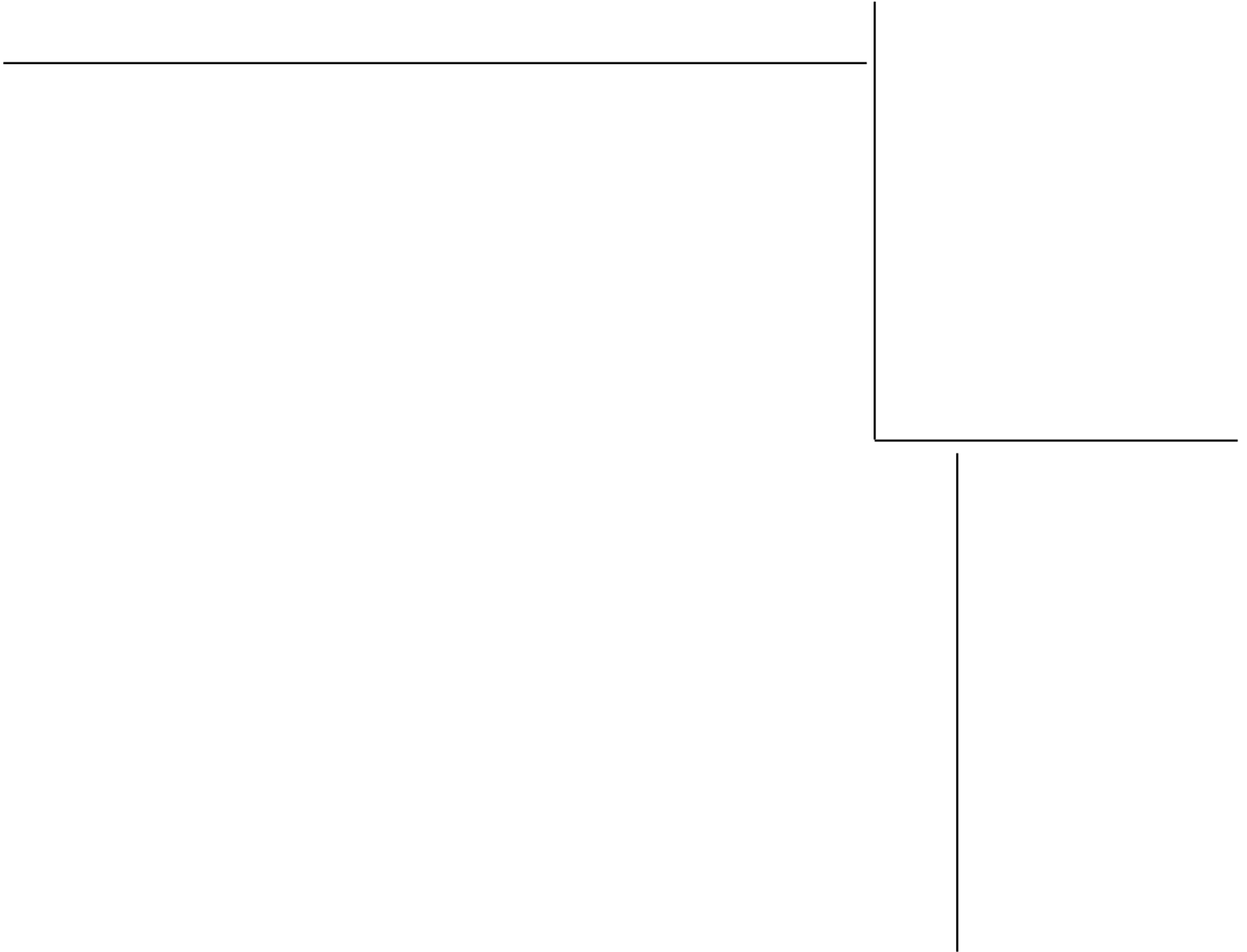
**U-Lead Guiding:** 21" x 8"


# EU Helmets

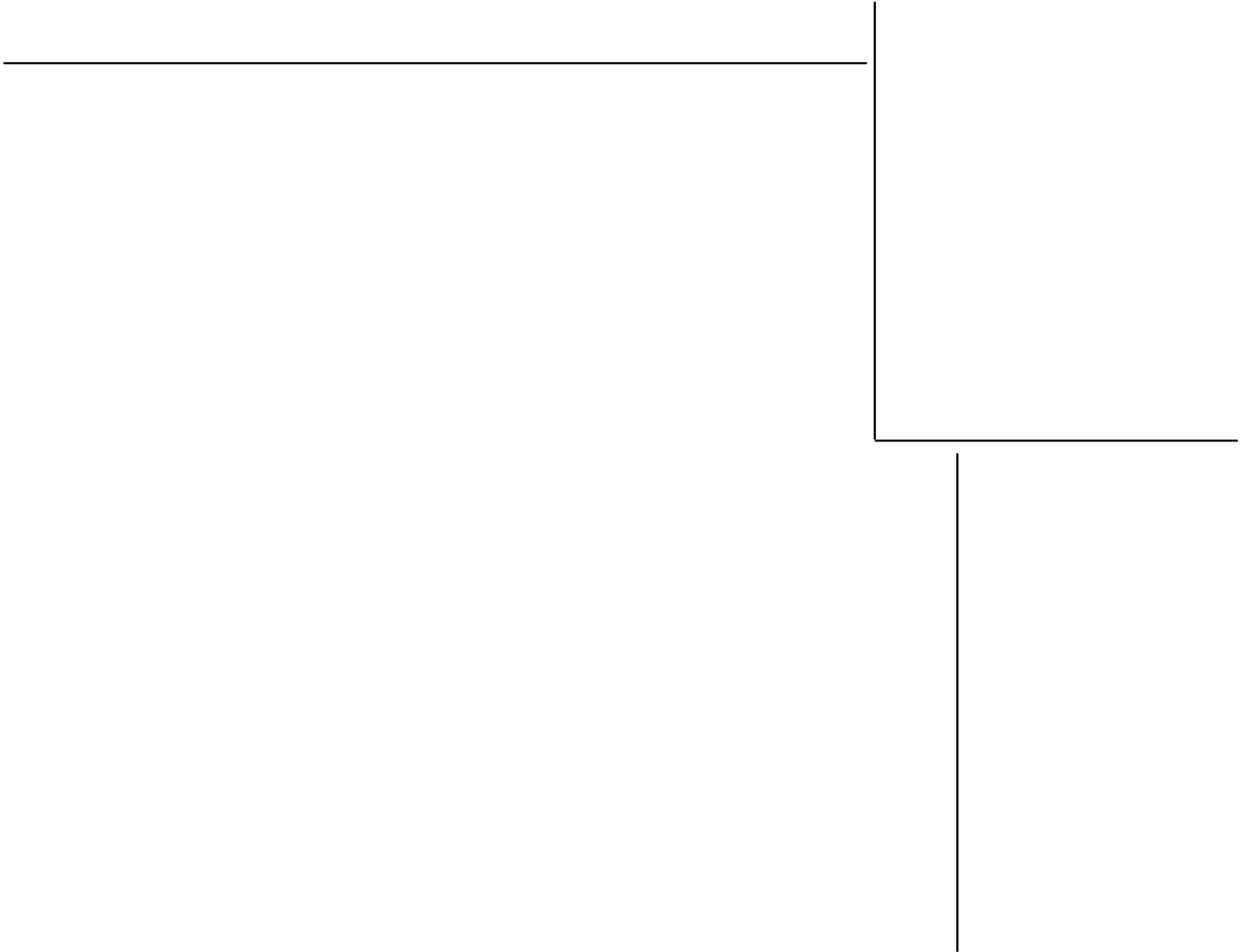

**P-505 EU Helmet Assembly**


	#	Assembly	Qty	*Weight lbs.	Accessories
	500013	Sheet Pile Helmet	1	1,360	steel cable 2
	500302	striker plate, sq 13"x6"	1	285	910-CBCP-12MM cable clamp 2
	500151	aluminium cushion sq 13"x1/2"	3	33 (for 3)	210-41981 clip 1-1/4" 1
	500101	phenolic cushion sq 13"x1"	2	24 (for 2)	special clamp 210-41766 1
<b>Pile Size: 30.5"x 13.25", Sheet Piles, using Diesel Hammer up to D19-42</b>				<b>Total Weight: 1,702 approx.</b>	

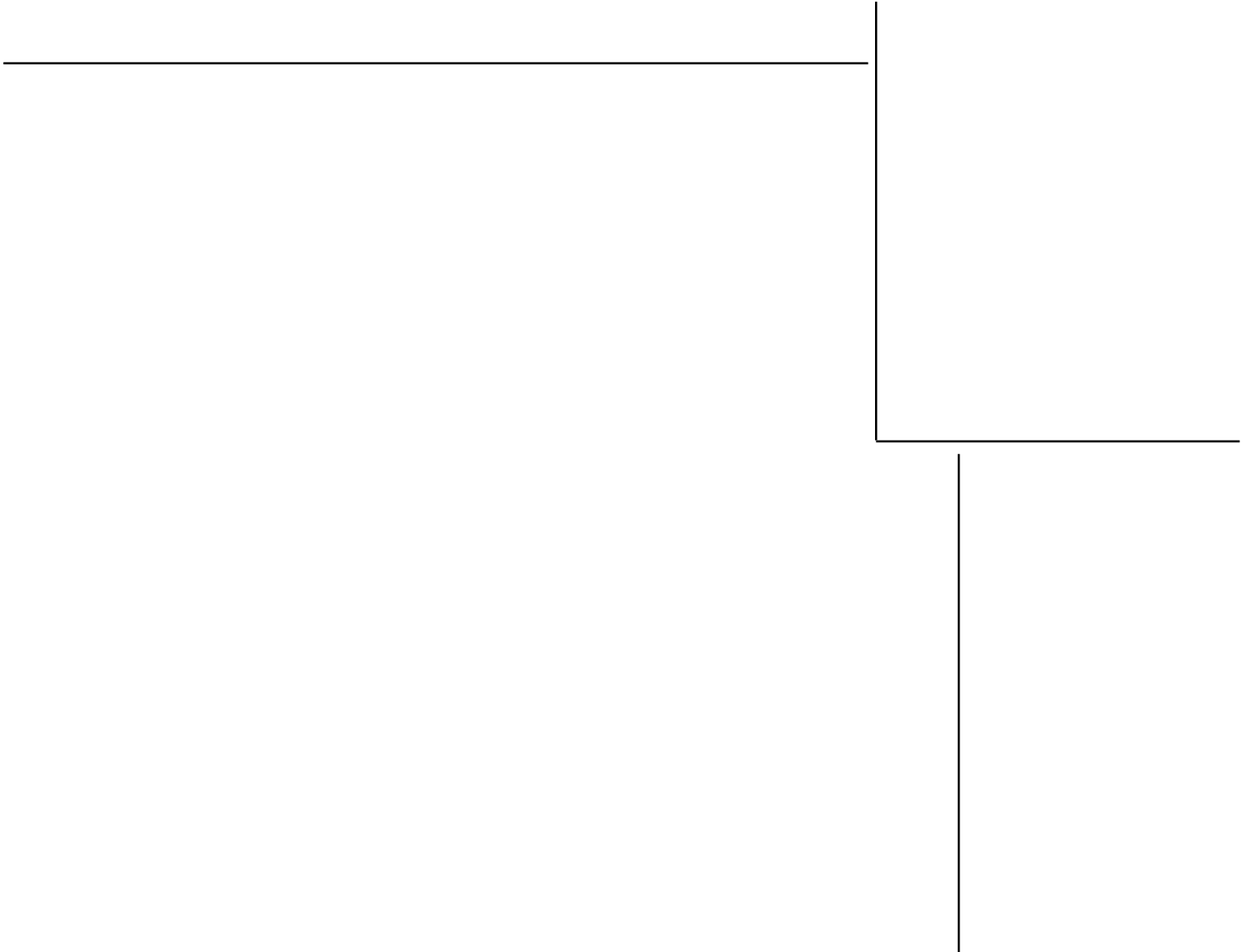




**P-524 EU Helmet Assembly**

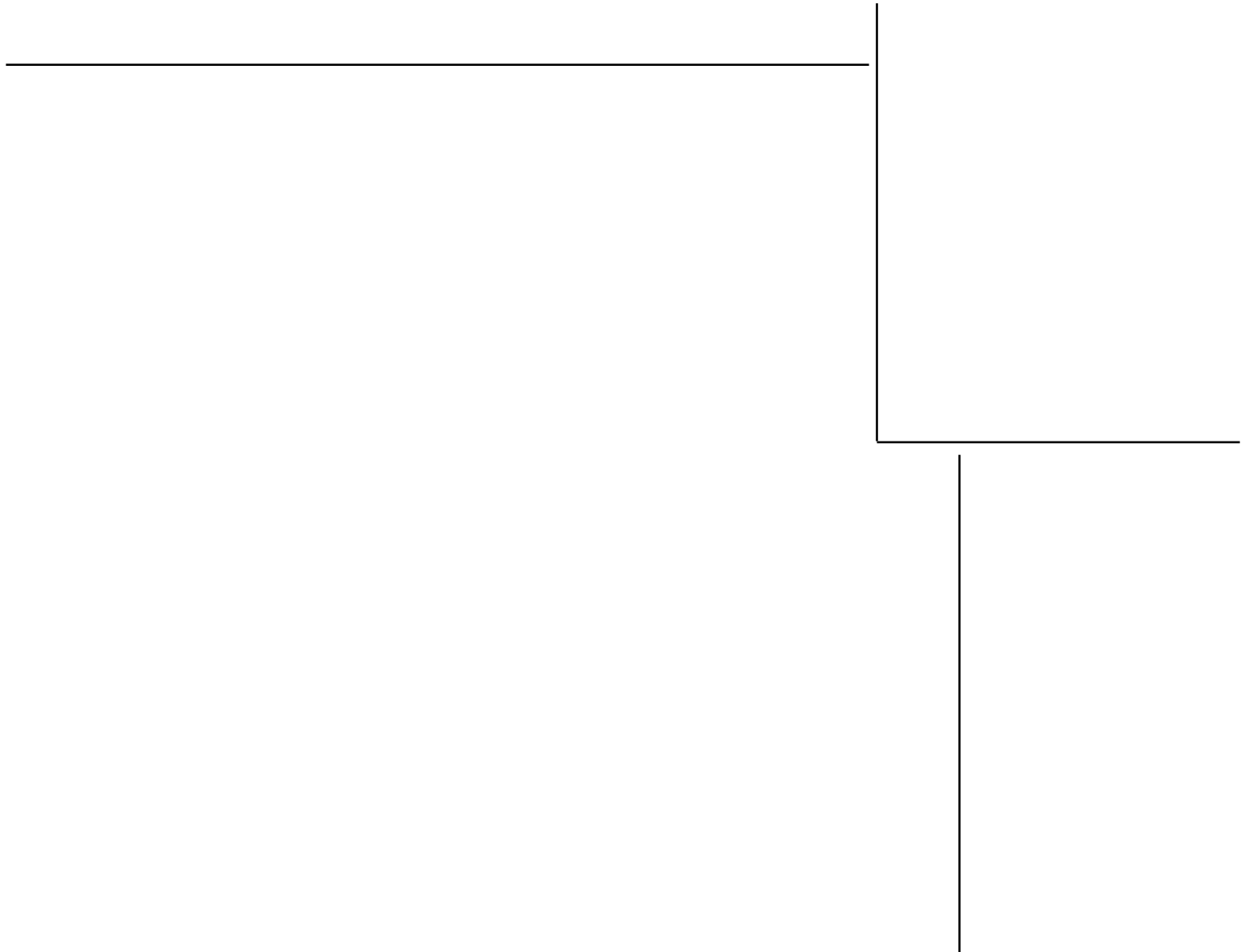
	#	Assembly	Qty	Weight lbs	Accessories
	500013 HD1	Sheet Pile Helmet	1	1,900	steel cable 2
	500300	Striker plate, Ø 13"x4"	1	119	cable clamp 2 910-CBCP-12MM
	500172	aluminium cushion Ø 13"x1/2"	3	33 (for 3)	clip 1-1/2" 1 210-41980
	500122	phenolic cushion Ø 13"x1"	2	24 (for 2)	special clamp 1 210-41949
<b>Pile Size: 30" x 12.5", Sheet Piles, using Diesel Hammer larger then D19-42 Total Weight: 2,076 approx.</b>					



**P-525 EU Helmet Assembly**

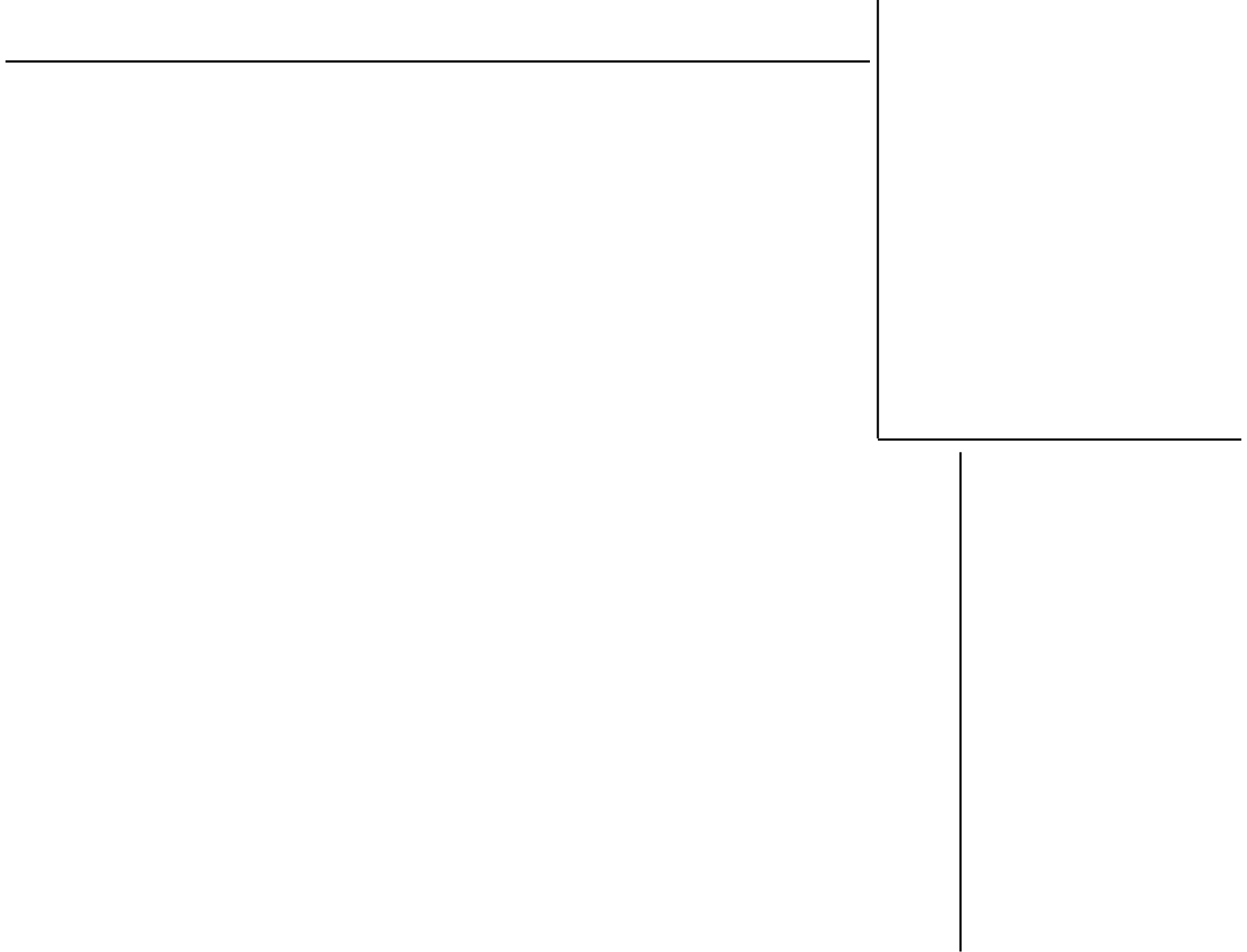
	#	Assembly	Qty	Weight lbs.	Accessories
	500013 HD2	Sheet Pile Helmet	1	3,280	steel cable 2
	500307	striker plate, Ø 17"x6"	1	330	cable clamp 2 910-CBCP-12MM
	500157	aluminium cushion Ø 17"x1/2"	3	33 (for 3)	clip 1-1/2" 1 210-41980
500107	phenolic cushion Ø 17"x1"	2	24 (for 2)	special clamp 1 210-41949	
<b>Pile Size: 38" x 14.5", Sheet Piles, using Diesel Hammer larger then D19-42 Total Weight: 3,667 approx.</b>					



**P-526 EU Helmet Assembly**

	#	Assembly	Qty	Weight lbs.	Accessories
	500013-HD5	Sheet Pile Helmet	1	4,380	steel cable 2
	500308-HD	striker plate, Ø 19"x7"	1	507	cable clamp 2 910-CBCP-12MM
	500158	aluminium cushion Ø 19"x1/2"	3	42 (for 3)	clip 1-1/2" 1 210-41980
	500108	phenolic cushion Ø 19"x1"	2	38 (for 2)	special clamp 1 210-41949
<b>Pile Size: 52" x 19", Sheet Piles, using Diesel Hammer larger then D19-42 Total Weight: 4,967 approx.</b>					

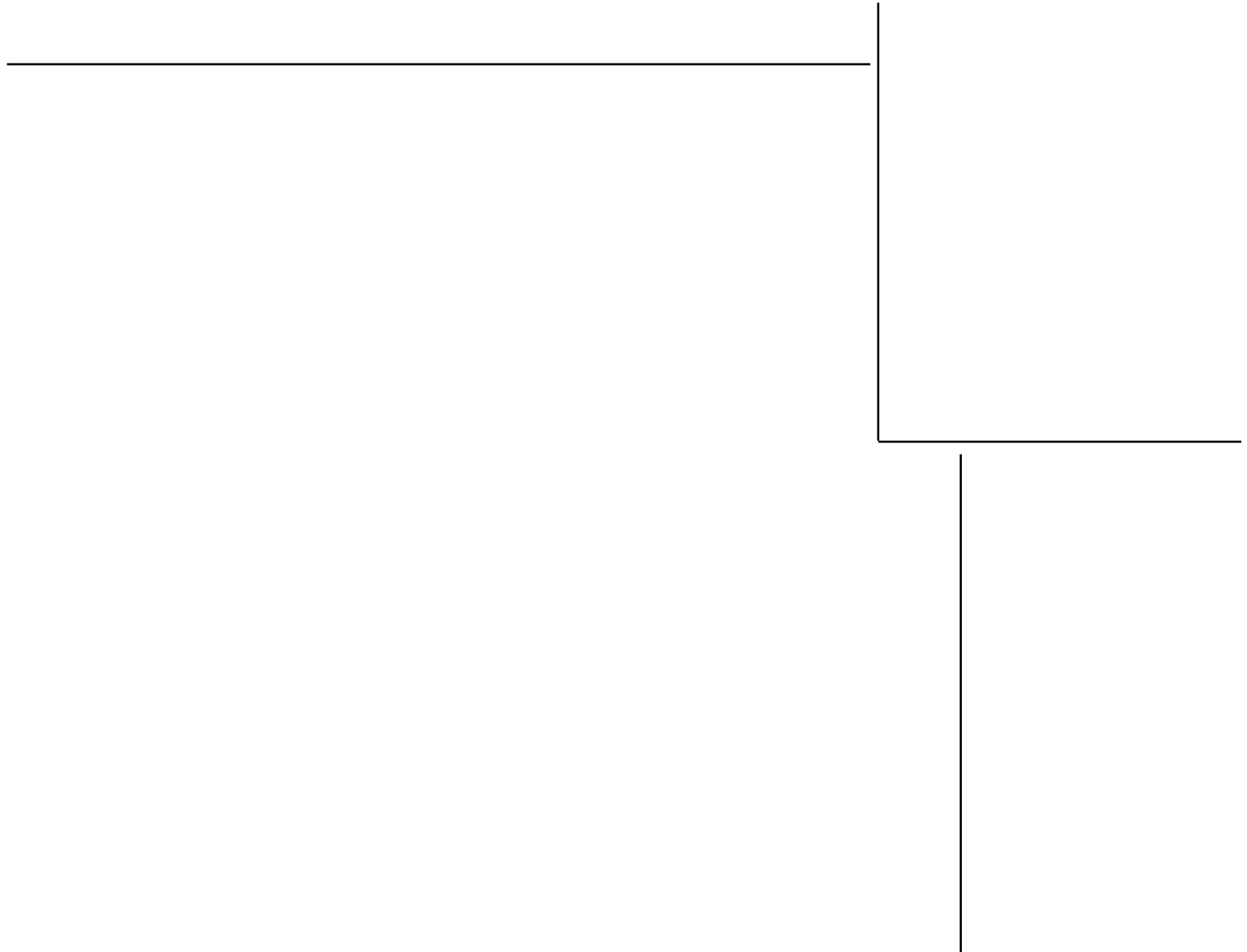

**P-520 EU Helmet Assembly**


	#	Assembly	Qty.	*Weight lbs	Accessories
	500012-HD	12" Square Concrete Helmet	1	1250	steel cable 2
	500300	striker plate, Ø 13" x 4"	1	119	cable clamp 2 910-CBCP-12MM
	500172	aluminium cushion Ø 13" x 1/2"	3	33 (for 3)	clip 1-1/2" 1 210-41980
	500122	phenolic cushion Ø 13" x 1"	2	24 (for2)	special clamp 1 210-41949
<p align="center"><b>Pile Size: sq. 12", Concrete Piles, Pipe Piles, and H-beams, using Diesel Hammer larger then D19-42</b>  <b>Total Weight: 1,426 approx.</b></p>					


**P-521 EU Helmet Assembly**

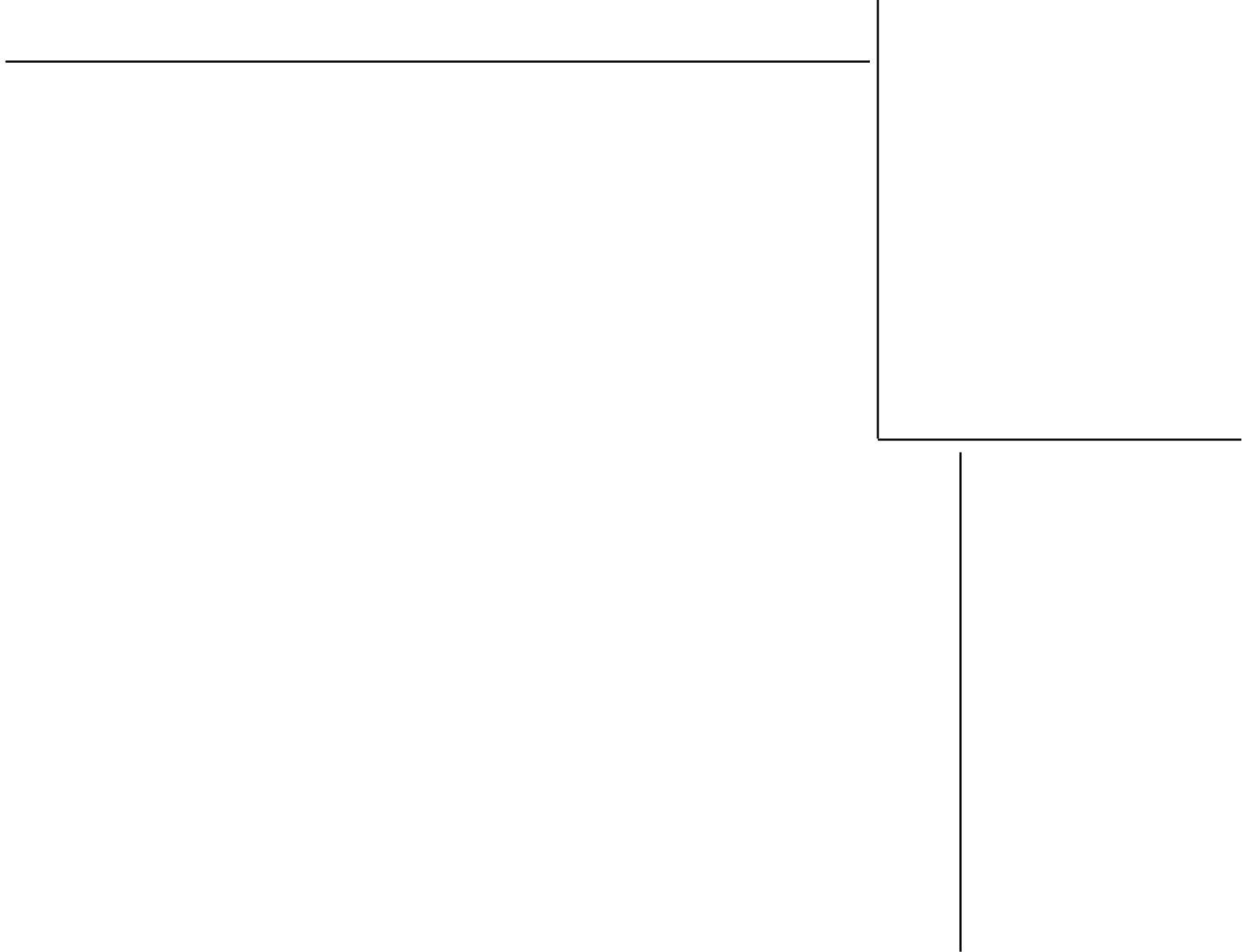
	#	Assembly	Qty	Weight lbs.	Accessories
	500014 HD	14" Square Concrete Helmet	1	1400	steel cable 2
	500300	striker plate, Ø 13" x 4"	1	119	cable clamp 2 910-CBCP-12MM
	500172	aluminium cushion Ø 13" x 1/2"	3	33 (for 3)	clip 1-1/2" 1 210-41980
	500122	phenolic cushion Ø 13" x 1"	2	24 (for 2)	special clamp 1 210-41949


**Pile Size: square 14", Concrete Piles, Pipe Piles, and H-beams, using Diesel Hammer larger then D19-42  
Total Weight: 1,576 approx.**


**P-522 EU Helmet Assembly**

	#	Assembly	Qty	Weight lbs.	Accessories
	500016 HD	16" Square Concrete Helmet	1	1,700	steel cable 2
	500307	striker plate, Ø17"x6"	1	330	cable clamp 2 910-CBCP-12MM
	500157	aluminium cushion Ø17"x1/2"	3	33 (for 3)	clip 1-1/2" 1 210-41980
	500107	phenolic cushion Ø17"x1"	2	24 (for 2)	special clamp 1 210-41949

**Pile Size:** square 16", **Concrete Piles, Pipe Piles, and H-beams, using Diesel Hammer larger then D19-42**  
**Total Weight: 2,087 approx.**


**P-523 EU Helmet Assembly**

	#	Assembly	Qty	Weight lbs.	Accessories
	500020 HD	20" Square Concrete Helmet	1	2,150	steel cable 2
	500307	striker plate, Ø17"x6"	1	330	cable clamp 2 910-CBCP-12MM
	500157	aluminium cushion Ø17"x1/2"	3	33 (for 3)	clip 1-1/2" 1 210-41980
	500107	phenolic cushion Ø17"x1"	2	24 (for 2)	special clamp 1 210-41949
<p align="center"><b>Pile Size: square 20", Concrete Piles, Pipe Piles, and H-beams, using Diesel Hammer larger then D19-42</b>  <b>Total Weight: 2,537 approx.</b></p>					