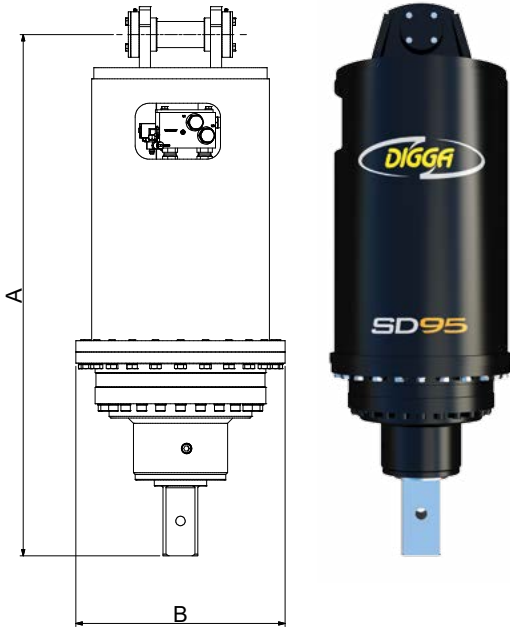


ANCHOR DRIVES SUPA DRIVE

15 - 30T (30,000 ft-lbs - 70,000 ft-lbs)



Developed in conjunction with the leading Screw Anchor/Pile installers around the world. The only true Anchor Drives available, designed & manufactured specifically for the rigours of the application. Host machine operates in the most efficient HP range, minimising wear & tear and optimizing performance & returns.

FEATURES

- 2 speed drive system
- Highest volumetrically efficient motors available, ensure consistent & efficient pile installation throughout the working day
- Compact, High Quality, Digga made gearbox
- Built-in PRV (pressure relief valve) standard
- ECV (Energy Control relief Valve) to prevent rapid decompression of oil, caused by the reverse energy created by pile Kick-back
- Engineered hood & ears for maximum strength
- Extreme duty shaft locking system
- No complex hoses, valving or filtration
- 1yr Gearbox & 1yr Motor Warranty

	SUPA DRIVES				
MODEL	SD 45	SD 50	SD 70	SD 80	SD 95
Maximum Torque (ft-lbs)	32,892	38,569	50,465	60,828	67,675
Max Flow (Gpm)	100 GPM @ 3,500 PSI				
Maximum Pressure - Do Not Exceed	3,500 PSI @100 GPM				
Maximum Horse Power	201	201	201	201	201
Motor Type	Radial Piston	Radial Piston	Radial Piston	Radial Piston	Radial Piston
Pressure Relief Valve	Included	Included	Included	Included	Included
Energy Control Valve	Included	Included	Included	Included	Included
Standard Output Shaft	100mm Square	100mm Square	100mm Square	100mm Square	100mm Square
Weight (lbs)	1848	1843	1843	1843	1859
Overall Length (in)	50.9"	50.9"	50.9"	50.9"	50.9"
Diameter (in)	23.6"	23.6"	23.6"	23.6"	23.6"



ANCHOR DRIVES SUPA DRIVE

15 - 30T (30,000 ft-lbs - 70,000 ft-lbs)



OUTPUT TORQUE

PSI	SD 45		SD 50		SD 70		SD 80		SD 95	
	HI TORQUE LOW SPD	LO TORQUE HIGH SPD	HI TORQUE LOW SPD	LO TORQUE HIGH SPD	HI TORQUE LOW SPD	LO TORQUE HIGH SPD	HI TORQUE LOW SPD	LO TORQUE HIGH SPD	HI TORQUE LOW SPD	LO TORQUE HIGH SPD
700	6,578	3,289	7,714	3,857	10,093	5,046	12,166	6,083	13,535	6,768
800	7,518	3,759	8,816	4,408	11,535	5,767	13,904	6,952	15,469	7,734
900	8,458	4,229	9,918	4,959	12,977	6,488	15,641	7,821	17,402	8,701
1,000	9,398	4,699	11,020	5,510	14,418	7,209	17,379	8,690	19,336	9,668
1,100	10,338	5,169	12,122	6,061	15,860	7,930	19,117	9,559	21,269	10,635
1,200	11,277	5,639	13,224	6,612	17,302	8,651	20,855	10,428	23,203	11,601
1,300	12,217	6,109	14,326	7,163	18,744	9,372	22,593	11,297	25,136	12,568
1,400	13,157	6,578	15,428	7,714	20,186	10,093	24,331	12,166	27,070	13,535
1,500	14,097	7,048	16,530	8,265	21,628	10,814	26,069	13,035	29,004	14,502
1,600	15,036	7,518	17,632	8,816	23,070	11,535	27,807	13,904	30,937	15,469
1,700	15,976	7,988	18,734	9,367	24,511	12,256	29,545	14,773	32,871	16,435
1,800	16,916	8,458	19,836	9,918	25,953	12,977	31,283	15,641	34,804	17,402
1,900	17,856	8,928	20,938	10,469	27,395	13,698	33,021	16,510	36,738	18,369
2,000	18,796	9,398	22,040	11,020	28,837	14,418	34,759	17,379	38,672	19,336
2,100	19,735	9,868	23,142	11,571	30,279	15,139	36,497	18,248	40,605	20,303
2,200	20,675	10,338	24,244	12,122	31,721	15,860	38,235	19,117	42,539	21,269
2,300	21,615	10,807	25,346	12,673	33,163	16,581	39,973	19,986	44,472	22,236
2,400	22,555	11,277	26,448	13,224	34,604	17,302	41,711	20,855	46,406	23,203
2,500	23,494	11,747	27,550	13,775	36,046	18,023	43,449	21,724	48,339	24,170
2,600	24,434	12,217	28,652	14,326	37,488	18,744	45,187	22,593	50,273	25,136
2,700	25,374	12,687	29,754	14,877	38,930	19,465	46,924	23,462	52,207	26,103
2,800	26,314	13,157	30,856	15,428	40,372	20,186	48,662	24,331	54,140	27,070
2,900	27,254	13,627	31,958	15,979	41,814	20,907	50,400	25,200	56,074	28,037
3,000	28,193	14,097	33,060	16,530	43,255	21,628	52,138	26,069	58,007	29,004
3,100	29,133	14,567	34,162	17,081	44,697	22,349	53,876	26,938	59,941	29,970
3,200	30,073	15,036	35,264	17,632	46,139	23,070	55,614	27,807	61,874	30,937
3,300	31,013	15,506	36,366	18,183	47,581	23,791	57,352	28,676	63,808	31,904
3,500	32,892	16,446	38,569	19,285	50,465	25,232	60,828	30,414	67,675	33,838

Output speed and torque specifications are THEORETICAL. Speed and torque output are dependent on the overall system efficiencies associated with the prime movers hydraulic system. This document should be used for information and comparative purposes only. When determining criteria, & application specific information is required, please contact DIGGA.

ANCHOR DRIVES SUPA DRIVE

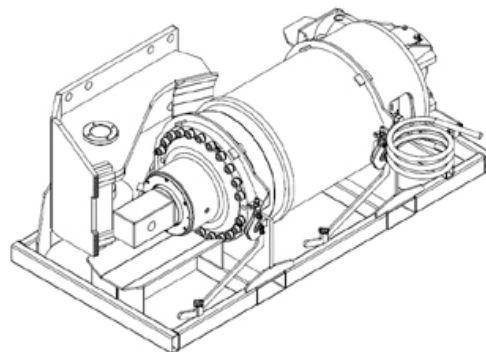
15 - 30T (30,000 ft-lbs - 70,000 ft-lbs)



OUTPUT SPEED

GPM	SD 45		SD 50		SD 70		SD 80		SD 95	
	HI TORQUE LOW SPD	LO TORQUE HIGH SPD	HI TORQUE LOW SPD	LO TORQUE HIGH SPD	HI TORQUE LOW SPD	LO TORQUE HIGH SPD	HI TORQUE LOW SPD	LO TORQUE HIGH SPD	HI TORQUE LOW SPD	LO TORQUE HIGH SPD
8	3	5	2	4	2	3	1	3	1	3
12	4	8	3	7	3	5	2	4	2	4
16	5	10	4	9	3	7	3	6	3	5
20	7	13	6	11	4	9	4	7	3	6
24	8	16	7	13	5	10	4	8	4	8
28	9	18	8	16	6	12	5	10	4	9
32	10	21	9	18	7	14	6	11	5	10
36	12	23	10	20	8	15	6	13	6	11
40	13	26	11	22	9	17	7	14	6	13
44	14	29	12	24	9	19	8	16	7	14
48	16	31	13	27	10	20	8	17	8	15
52	17	34	14	29	11	22	9	18	8	16
56	18	37	16	31	12	24	10	20	9	18
60	20	39	17	33	13	26	11	21	10	19
64	21	42	18	36	14	27	11	23	10	20
68	22	44	19	38	14	29	12	24	11	22
72	23	47	20	40	15	31	13	25	11	23
76	25	50	21	42	16	32	13	27	12	24
80	26	52	22	45	17	34	14	28	13	25
84	27	55	23	47	18	36	15	30	13	27
88	29	57	24	49	19	37	16	31	14	28
92	30	60	26	51	20	39	16	32	15	29
96	31	63	27	53	20	41	17	34	15	30
100	33	65	28	56	21	43	18	35	16	32

Safe & Secure optional
storage & transport
cradles available



Output speed and torque specifications are THEORETICAL. Speed and torque output are dependent on the overall system efficiencies associated with the prime movers hydraulic system. This document should be used for information and comparative purposes only. When determining criteria, & application specific information is required, please contact DIGGA.